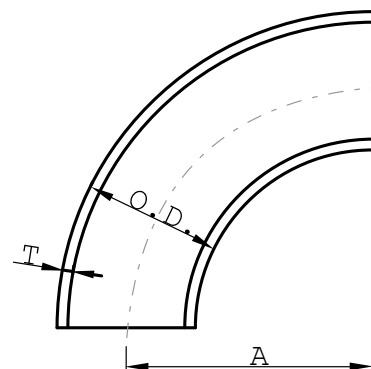


CODO 90° Long Radius

Normas de Diseño:
ANSI/ASME B16.9
Material: Acero
A234 WPB **Cédula:**
SCH 40, SCH 80, SCH 160



Unidad: Milímetros (mm)

MEDIDA	DIÁMETRO EXTERIOR (OD)	ESPESOR DE PARED (T)			CENTRO A FINAL (A)	PESO (Kg)		
		SCH 40	SCH 80	SCH 160		SCH 40	SCH 80	SCH 160
1/2"	21.3	2.8	3.7	4.8	38.1	0.08	0.10	-
3/4"	26.7	2.9	3.9	5.6	28.4	0.11	0.14	-
1"	33.5	3.4	4.5	6.4	38.1	0.16	0.20	0.25
1 1/4"	42.2	3.6	4.9	6.4	47.8	0.26	0.35	0.42
1 1/2"	48.3	3.7	3.7	7.1	51.1	0.37	0.50	0.65
2"	60.5	3.9	5.5	8.7	76.2	0.66	0.90	1.33
2 1/2"	73.2	5.2	7.0	9.5	95.3	1.37	1.79	2.33
3"	88.9	5.5	7.6	11.1	114.3	2.04	2.74	3.83
4"	114.3	6.0	8.6	13.5	152.4	3.84	5.36	8.02
5"	141.2	6.6	9.5	15.9	190.5	6.48	9.13	14.7
6"	168.1	7.1	11.0	18.3	228.6	9.94	15.0	24.2
8"	218.9	8.2	12.7	23.0	304.8	20.1	30.5	53.2
10"	273.1	9.3	15.0	28.6	381.0	35.4	57.0	103
12"	323.9	10.3	17.5	33.3	457.2	57.0	94.0	171
14"	355.9	11.1	19.1	35.7	533.4	79.1	133	236
16"	406.4	12.7	21.4	40.4	609.6	118	195	350
18"	457.2	14.3	23.8	45.2	685.8	169	275	495
20"	508.0	15.0	26.1	50.0	762.0	220	373	676
22"	558.8	-	28.6	54.0	838.2	-	493	886
24"	609.6	17.5	31.0	59.5	914.4	366	636	1160

* Fotos y medidas referenciales, sujetas a cambios sin previo aviso por parte del proveedor o fabricante.