

Catálogo 2019



Chumaceras

Piñones

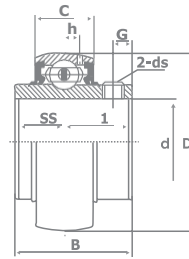
Rodamientos

Cadenas



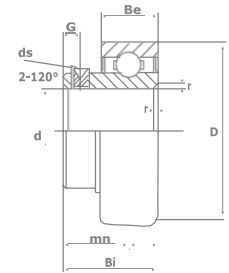
www.solindececuador.ec
solindecventas@gmail.com

Repuesto para Chumacera UC

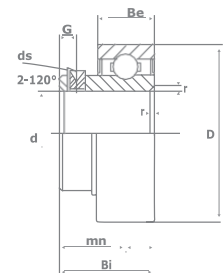


NO. CHUMACERA	DIÁMETRO DE EJE		DIMENSIONES (MM)/(PULGADA)								BASIC LOAD RATING		PESO (kg)
	d		D	B	C	S	S1	G	h	ds	Dynamic Cr	Static Cor	
	PULGADAS	MM											
UC-201-8 UC 202	1/2												
202-10 203	5/8	15	40 1.5748	27.4 1.0787	14 0.5512	11.5 0.4528	15.9 0.6260	4.5 0.1772	3.5 0.1378	M5X0.8 10#-32UNF	9550	4780	0.12 0.11
UC 204-12 204	3/4	17	47 1.8540	31 1.2205	16 0.6299	12.7 0.5000	18.3 0.7205	4.7 0.1850	4.4 0.1732	M6X1 1/4-28UNF	12800	6650	0.18 0.17 0.23
UC 205-14 205-15 205	7/8 15/16	20	52 2.0472	34 1.3386	17 0.6693	14.3 0.5630	19.7 0.7756	5.5 0.2165	4.3 0.1693	M6X1 1/4-28UNF	14000	7880	0.22 0.21 0.20
UC 206-18 206	1-1/8	25	62 2.4409	38.1 1.5000	19 0.7480	15.9 0.6260	22.2 0.8740	5.5 0.2165	5 0.1969	M6X1 1/4-28UNF	19500	11200	0.34 0.32 0.31 0.30
UC 206-19 206-20	1-3/16 1-1/4	30	72 2.8346	42.9 1.6890	20 0.7874	17.5 0.6890	25.4 1.0000	6.5 0.2559	5.8 0.2283	M8X1 5/16-24UNF	25700	15200	0.53 0.51 0.48 0.47 0.45
UC 207-20 207-21 207-22 207	1-1/4 1-5/16 1-3/8	35	80 3.1496	49.2 1.9370	21 0.8268	19 0.7480	30.2 1.1890	8 0.3150	6.3 0.2480	M8X1 5/16-24UNF	29600	18200	0.68 0.64 0.78 0.74 0.70 0.68
UC 207-23 207	1-7/16	40	85 3.3465	49.2 1.9370	22 0.8661	19 0.7480	30.2 1.1890	8 0.3150	6.8 0.2677	M8X1 5/16-24UNF	31850	20800	0.87 0.82 0.80 0.78
UC 208-24 208	1-1/2	45	90 3.5433	51.6 2.0315	23 0.9055	19 0.7480	32.6 1.2835	9 0.3543	6.5 0.2559	M10X1.25 3/8-24UNF	35100	23200	1.27 1.17 1.12 1.10
UC 209-26 209-27 209-28 209	1-5/8 1-11/16 1-3/4	55	100 3.9370	55.6 2.1890	25 0.9843	22.2 0.8740	33.4 1.3150	9 0.3543	7.2 0.2835	M10X1.25 3/8-24UNF	43550	29200	1.67 1.53 1.53 1.45
UC 210-30 210-31 210	1-7/8 1-15/16	60	110 4.3307	65.1 2.5630	27 1.0630	25.4 1.0000	39.7 1.5630	10.5 0.4134	8.2 0.3228	M10X1.25 3/8-24UNF	47800	32800	1.94 2.30 2.21
UC 210-32 210	2	50	120 4.7244	65.1 2.5630	28 1.1024	25.4 1.0000	39.7 1.5630	12 0.4724	8 0.3150	M12X1.25 5/16-24UNF	57200	40000	2.30 2.21
UC 211-32 211-34 211	2 2-1/8	55	130 5.1181	77.8 3.0630	30 1.1811	33.3 1.3110	44.5 1.7520	12 0.4720	9 0.3543	M12X1.25 7/16-20UNF	66000	49500	2.30 2.21
UC 211-35 211	2-3/16	55	120 4.7244	65.1 2.5630	28 1.1024	25.4 1.0000	39.7 1.5630	12 0.4724	8 0.3150	M12X1.25 5/16-24UNF	57200	40000	2.30 2.21
UC 212-36 212	2-1/4	60	130 5.1181	77.8 3.0630	30 1.1811	33.3 1.3110	44.5 1.7520	12 0.4720	9 0.3543	M12X1.25 7/16-20UNF	66000	49500	2.30 2.21
UC 212-38 212-39 212	2-3/8 2-7/16	60	140 5.5118	76.2 3.0000	31 1.2165	28 1.1024	40 1.5748	12 0.4724	9 0.3543	M12X1.25 7/16-20UNF	66000	49500	2.30 2.21
UC 213-40 213	2-1/2	65	150 5.9055	81.3 3.1992	33 1.2992	30 1.1811	45 1.7716	12 0.4724	10 0.3937	M12X1.25 7/16-20UNF	66000	49500	2.30 2.21
UC 215-47 215-48 215	2-15/16 3	70	160 6.2992	86.1 3.3898	35 1.3780	33 1.2992	50 1.9685	12 0.4724	11 0.4331	M12X1.25 7/16-20UNF	66000	49500	2.30 2.21
UCX 11-35	2-3/16	55	130 5.1181	77.8 3.0630	30 1.1811	33.3 1.3110	44.5 1.7520	12 0.4720	9 0.3543	M12X1.25 7/16-20UNF	66000	49500	2.30 2.21

Repuesto para Chumacera SB y CSB



SB

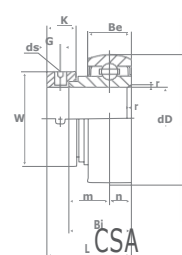
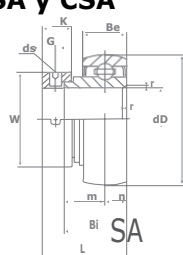


CSB

NO. CHUMACERA	DIÁMETRO DE EJE		DIMENSIONES (MM)/(PULGADA)							BASIC LOAD RATING		PESO (kg)	
	d		Be	D	Bi	r	n	m	L	ds	Dynamic Cr		Static Cor
	PULGADAS	MM											
SB 201-8 CSB 201-8	1/2		12	40	22	1	6	16	4.5	10-32UHF M5X0.8	780	454	0.07
										1/4-28			
SB 204-12 CSB 204-12	3/4		14	47	5	1.5	7	18	4.5	M6X0.75	1010	630	0.12
SB 205-16 CSB 205-16	1		15	52	27	1.5	7.5	19.5	5	1/4-28	1100	710	0.16
SB 206-18 CSB 206-18	1-1/8		16	62	30	1.5	8	22	5.5	M6X0.75	1550	1020	0.26
SB 206-19 CSB 206-19	1-3/16		16	62	30	1.5	8	22	5.5	1/4-28 M6X0.75	1550	1020	0.25
SB 207-20 CSB 207-20	1-1/4		17	72	32	2	8.5	23.5	6	5/16-24 M8X1	2030	1400	0.41
SB 208-24 CSB 208-24	1-1/2		18	80	34	2	9	25	8	5/16-24 M8X1	2300	1600	0.48

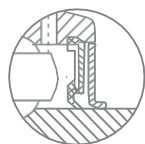


Repuesto para Chumacera SA y CSA

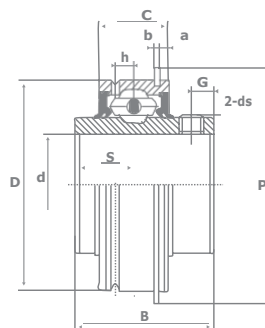


NO. CHUMACERA	DIÁMETRO DE EJE		DIMENSIONES (MM)/(PULGADA)										BASIC LOAD RATING			
	d	PULGADAS	Be	D	Bi	r	n	m	L	W	K	G	ds	Dynamic Cr	Static Cor	PESO (kg)
	PULGADAS															
SA 201-8 CSA 201-8	1/2		12	40	19.1	0.8	6	13.1	28.6	28.6	13.5	5	1/4-28 M6X0.75	780	454	0.14
SA 204-12 CSA 204-12	3/4		14	47	21.5	1.5	7	14.5	31	33.3	13.5	5	1/4-28 M6X0.75	1010	630	0.15
SA 205-14 CSA 205-14	7/8		15	52	21.5	1.5	7.5	14	31	38.1	13.5	5	1/4-28 M6X0.75	1100	710	0.21
SA 205-16 CSA 205-16	1		15	52	21.5	1.5	7.5	14	31	38.1	13.5	5	1/4-28 M6X0.75	1100	710	0.18
SA 206-18 CSA 206-18	1-1/8		16	62	23.8	1.5	8	15.8	35.7	44.5	15.9	6	5/16-24 M8X1	1550	1020	0.32
SA 206-20 CSA 206-20	1-1/4		16	62	23.8	1.5	8	15.8	35.7	44.5	15.9	6	5/16-24 M8X1	1550	1020	0.29
SA 207-20 CSA 207-20	1-1/4		17	72	25.4	2	8.5	16.9	38.9	55.6	17.5	6.5	5/16-24 M8X1	2030	1400	0.55
SA 208-24 CSA 208-24	1-1/2		18	80	30.2	2	9	20.7	43.7	60.3	18.3	6.5	5/16-24 M8X1	2570	1810	0.67
SA 210-31 CSA 210-31	1-15/16		20	90	30.2	2	10	20.2	43.7	69.9	18.3	6.5	5/16-24 M8X1	2760	2010	0.83

Repuesto para Chumacera ER

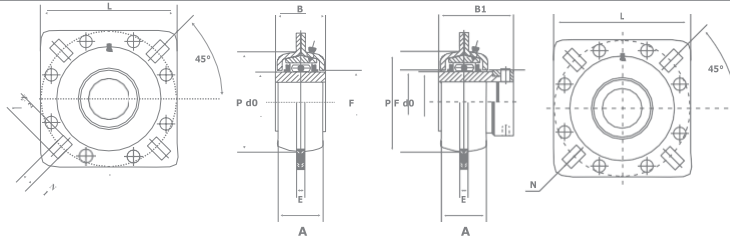


DOBLE SELLO

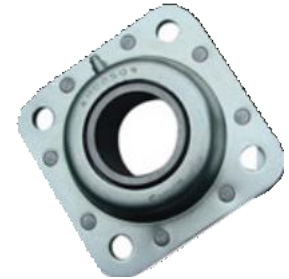


CHUMACERA NO.	DIÁMETRO DE EJE		DIMENSIONES (MM)/(PULGADA)										BASIC LOAD RATING		
	d	PULGADAS	D	B	C	S	a	b	p	G	h	ds	Dynamic Cr	Static Cor	PESO (kg)
	PULGADAS														
ER 204-12	3/4		47	31	15.9	12.7	2.38	1.07	52.7	4.7	4.4	M6X1	12800	6650	0.24
ER 205-16	1		52	34	19	14.3	2.38	1.07	57.9	5.5	4.4	M6X1	14000	7880	0.27
ER 206-18	1-1/8		62	38.1	22.2	15.9	3.18	1.65	67.7	5.5	5.3	M6X1	19500	11200	0.39
ER 206-19	1-3/16		62	38.1	22.2	15.9	3.18	1.65	67.7	5.5	5.3	M6X1	19500	11200	0.39
ER 207-20	1-1/4		72	42.9	23.8	17.5	3.18	1.65	78.6	6.5	5.8	M8X1	25700	15200	0.61
ER 208-24	1-1/2		80	49.2	27.8	19	3.18	1.65	86.6	8	6.3	M8X1	29600	18200	0.81

Chumacera Agrícola Troquelada

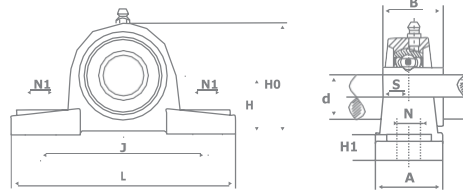


NO. DE UNIDAD	TAMANO DE FLECHA		DIMENSIONES (MM)										BASIC LOAD RATING	
	H	d	L	P	B1	B	A	F	d0	E	C	N	Dynamic Cr	Static Cor
DHU55R-211	----	55	139.7	113.5	----	51	46.4	73	69	9	139.7	Ø13.5		
ST211-1 3/4	----	45.212	139.7	113.5	----	55.5	46.4	73	69	9	139.7	Ø13.5		
ST211-1 15/16	----	49.238	139.7	113.5	69.9	----	46.4	73	69	9	139.7	Ø13.5	43550	25000
ST211-2 3/16	----	55.575	139.7	113.5	----	55.5	46.4	73	69	9	139.7	Ø13.5		
DHU40S-211	40.878	----	139.7	113.5	----	51	46.4	73	69	9	139.7	13.5X15.1		



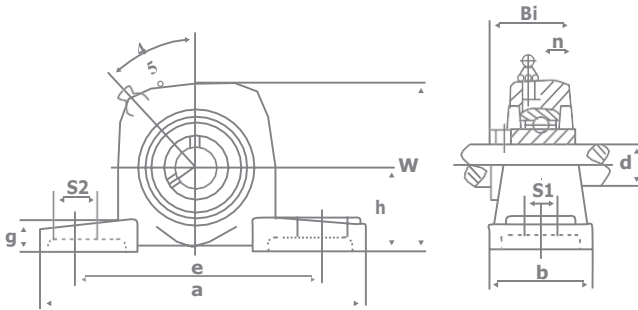
NO. DE UNIDAD	TAMANO DE FLECHA		DIMENSIONES (MM)										BASIC LOAD RATING	
	H	d	L	P	B	A	F	d0	E	C	N (N1XN2)	Dynamic Cr	Static Cor	
491A	----	45	127	98	42.8	42	60	57.54	7	127	Ø13.5			
491b	----	38.86	127	98	42.8	42	60	57.54	7	127	13.5 X 16.7	31850	17500	
ST209-1 1/8	29.927	----	127	98	42.8	42	60	57.54	7	127	13.5 X 16.7			

Chumacera de Piso Reforzada UCPX



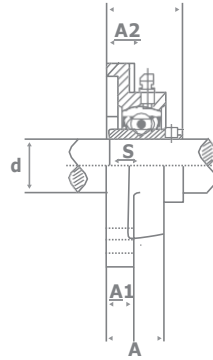
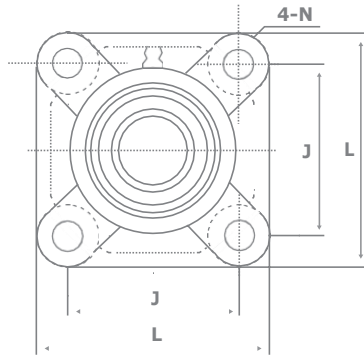
CHUMACERA NO.	DIÁMETRO DE EJE		DIMENSIONES (MM)/(PULGADA)										PERNO	NO. REPUESTO	NO. CAJA	PESO (kg)		
	PULGADAS	MM	H	L	J	A	N	N1	H1	H0	S	B						
UCP X05-14	7/8																	
UCP X05-15	15/16		44.4	159	119	51	17	20	17	85	15.9	38.1	M14	UC X05-14			1.5	
UCP X05		25												UC X05-15	PX05			
UCP X05-16	1													UC X05-16				
UCP X06-18	1-1/8		47.6	175	127	54	17	20	20	93	17.5	42.9	M14	UC X06-18	PX06		2.1	
UCP X06		30												UC X06				
UCP X06-19	1-3/16													UC X06-19				
UCP X06-20	1-1/4		54	203	144	57	17	20	21	105	19	49.2	M14	UC X06-20	PX07		2.7	
UCP X07-22	1-3/8													UC X07-22				
UCP X07		35	58.7	222	156	65	20	23	23	112	19	49.2	M16	UC X07	PX08		3.5	
UCP X07-23	1-7/16													UC X07-23				
UCP X08-24	1-1/2		58.7	222	156	67	20	23	25	116	19	51.6	M16	UC X08-24	PX09		3.7	
UCP X08		40												UC X08				
UCP X09-26	1-5/8													UC X09-26				
UCP X09-27	1-11/16		63.5	240	171	71	20	23	24	126	22.2	55.6	M16	UC X09-27	PX10		4.6	
UCP X09-28	1-3/4													UC X09-28				
UCP X09		45												UC X09				
UCP X10-30	1-7/8		69.8	260	184	79	25	28	29	137	25.4	65.1	M20	UC X10-30	PX11		6.5	
UCP X10-31	1-15/16													UC X10-31				
UCP X10		50												UC X10				
UCP X10-32	2		76.2	280	203	81	25	28	31	149	25.4	65.1	M20	UC X10-32	PX12		7.7	
UCP X11-34	2-1/8													UC X11-34				
UCP X11		55	76.2	286	203	83	25	28	33	152	30.2	74.6	M20	UC X11	PX13		8.1	
UCP X11-35	2-3/16													UC X11-35				
UCP X11-36	2-1/4		88.9	320	229	85	27	30	34	170	33.3	77.8	M22	UC X11-36	PX14		10.2	
UCP X12		60												UC X12				
UCP X12-38	2-3/8		88.9	330	229	92	27	30	35	175	33.3	82.6	M22	UC X12-38	PX15		10.8	
UCP X12-39	2-7/16													UC X12-39				
UCP X13-40	2-1/2		101.6	378	283	99	27	30	37	194	34.1	85.7	M22	UC X13-40	PX16		15.3	
UCP X13		65	101.6	380	283	102	27	30	40	200	39.7	96	M22	UC X13	PX17		16.1	
UCP X14-44	2-3/4													UC X14-44				
UCP X14		70	101.6	381	283	106	33	36	40	206	42.9	104	M22	UC X14	PX18		19.1	
UCP X15		75												UC X15				
UCP X15-48	3													UC X15-48				
UCP X16		80												UC X16				
UCP X17-52	3-1/4		127	432	337	120	120	120	45	244	49.2	117.5	M27	UC X17-52	PX20		30.4	
UCP X17		85												UC X17				
UCP X18-56	3-1/2													UC X18-56				
UCP X18		90												UC X18				
UCP X20		100												UC X20				
UCP X20-64	4													UC X20-64				

Chumacera de Piso UCP



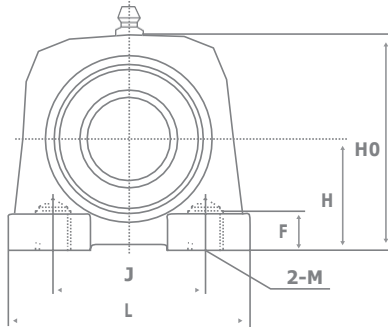
		E EJE		DIMENSIONES															
		M	H	L	J	A	N1												
		20	30.2	127	95	38	19												
		20	33.3	127	95	38	19												
UCP205-14	7/8	25	36.5	140	105	38	19	13	15	71	34.1	14.3	M10	3/8	UC205-14				
UCP205-15	15/16	25													UC205-15	P205	0.60		
UCP205-16	1	25													UC205				
UCP205		25													UC206-17				
UCP206-17	1-1/16	25	42.9	165	121	48	21	17	17	83	38.1	15.9	M14	1/2	UC206-19	P206	0.97		
															UC206-20				
			47.6	167	127	48	21	17	18	93	42.9	17.5	M14	1/2	UC207-23	P207	1.00		
															UC208-24				
			49.2	184	137	54	21	17	18	98	49.2	19.0	M14	1/2	UC208-25	P208	1.30		
															UC208				
															UC209-26				
			54	190	146	54	21	17	20	106	49.2	19.0	M14	1/2	UC209-28	P209	1.40		
			57.2	206	159	60	25	20	21	114	51.6	19.0	M16	5/8		P210	1.83		
UCP210		50													UC210				
UCP211-32	2	50													UC211-32				
UCP211-33	2-1/16	50	63.5	219	171	60	25	20	23	126	55.6	22.2	M16	5/8	UC211-33				
UCP211-34	2-1/8	50													UC211-34				
UCP211-35	2-3/16	50													UC211-35	P211	2.4		
UCP211		55													UC211				
UCP212-36	2-1/4	55													UC212-36				
UCP212-37	2-5/16	55	69.8	241	184	70	25	20	25	138	65.1	25.4	M16	5/8	UC212-37				
UCP212-38	2-3/8	55													UC212-38				
UCP212-39	2-7/16	55													UC212-39	P212	2.8		
UCP212		60													UC212				
UCP213-40	2-1/2	60	76.2	265	203	70	29	25	27	151	65.1	25.4	M20	3/4	UC213-40				
UCP213-41	2-9/16	60													UC213-41	P213	3.5		
UCP213		65													UC213				
UCP214-42	2-5/8	65													UC214-42				
UCP214-43	2-11/16	65	79.4	266	210	72	31	25	27	157	74.6	30.2	M20	3/4	UC214-43				
UCP214-44	2-3/4	65													UC214-44	P214	4.45		
UCP214		70													UC214				
UCP215-45	2-13/16	70	82.6	275	217	74	31	25	28	163	77.8	33.3	M20	3/4	UC215-45				
UCP215-46	2-7/8	70													UC215-46	P215	4.9		
UCP215-47	2-15/16	70													UC215-47				

Chumacera de Pared 4 Tornillos UCF



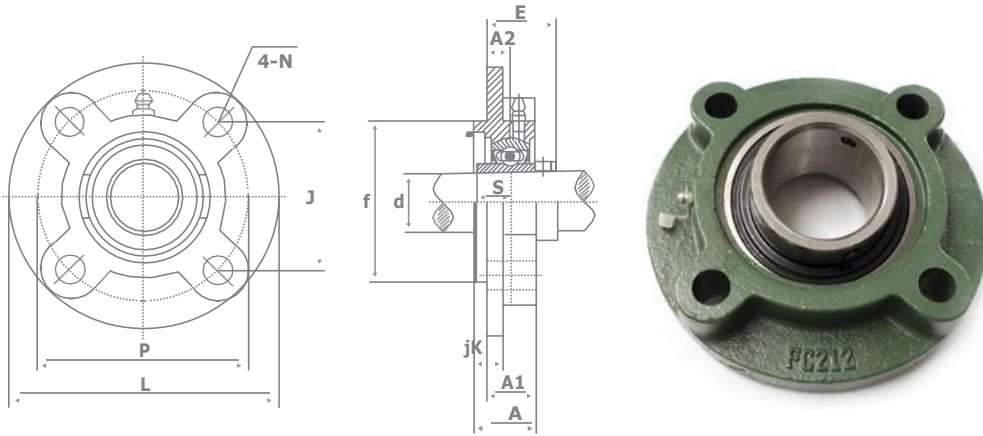
CHUMACERA NO.	DIÁMETRO DE EJE		DIMENSIONES (MM)/(PULGADA)								PERNO	NO. REPUESTO	NO. CAJA	PESO (kg)	
	PULGADAS	MM	L	J	A2	A1	A	E	N	S					
UCF 202		15											UC 202		
UCF 202-10	5/8	17	76	54	15	11	25.5	30.9	11.5	11.5	M10	UC 202-10	F203	0.57	
UCF 203												UC 203			
UCF 203-11	11/16											UC 203-11			
UCF 204-12	3/4											UC 204-12			
UCF 204		20	86	64	15	11	25.5	33.3	11.5	12.7	M10	UC 204	F204	0.61	
UCF 205-14	7/8											UC 205-14			
UCF 205-15	15/16											UC 205-15			
UCF 205		25	95	70	16	13	27	35.7	11.5	14.3	M10	UC 205	F205	0.80	
UCF 205-16	1											UC 205-16			
UCF 206-18	1-1/8											UC 206-18			
UCF 206		30	108	83	18	13	31	40.2	11.5	15.9	M10	UC 206	F206	1.07	
UCF 206-19	1-3/16											UC 206-19			
UCF 206-20	1-1/4											UC 206-20			
UCF 207-20	1-1/4											UC 207-20			
UCF 207-21	1-5/16											UC 207-21			
UCF 207-22	1-3/8		117	92	19	15	34	44.4	14	17.5	M12	UC 207-22	F207	1.40	
UCF 207												UC 207			
UCF 207-23	1-7/16											UC 207-23			
UCF 208-24	1-1/2											UC 208-24			
UCF 208-25	1-9/16											UC 208-25	F208	1.80	
UCF 28		40										UC 28			
UCF 209-26	1-5/8											UC 209-26			
UCF 209-27	1-11/16		137	105	22	16	38	52.2	16	19	M14	UC 209-27	F209	2.20	
UCF 209-28	1-3/4											UC 209-28			
UCF 209		45										UC 209			
UCF 210-30	1-7/8											UC 210-30			
UCF 210-31	1-15/16		143	111	22	16	40	54.6	18	19	M16	UC 210-31	F210	2.40	
UCF 210		50										UC 210			
UCF 211-32	2											UC 211-32			
UCF 211-34	2-1/8		162	130	25	18	43	58.4	18	22.2	M16	UC 211-34	F211	3.50	
UCF 211		55										UC 211			
UCF 211-35	2-3/16											UC 211-35			
UCF 212-36	2-1/4											UC 212-36			
UCF 212		60	175	143	29	18	48	68.7	18	25.4	M16	UC 212	F212	4.20	
UCF 212-38	2-3/8											UC 212-38			
UCF 212-39	2-7/16											UC 212-39			
UCF 213-40	2-1/2		187	149	30	22	50	69.7	18	25.4	M16	UC 213-40	F213	5.30	
UCF 213		65										UC 213			
UCF 214-44	2-3/4		193	152	31	22	54	75.4	18	30.2	M16	UC 214-44	F214	5.90	
UCF 214		70										UC 214			
UCF 215-47	2-15/16											UC 215-47	F215	6.30	
UCF 215		75	200	159	34	22	56	78.5	18	33.3	M16	UC 215			
UCF 215-48	3											UC 215-48	F216	7.30	
UCF 216		80	208	165	34	22	57	83.3	22	33.3	M20	UC 216			
UCF 217-52	3-1/4											UC 217-52	F217	8.90	
UCF 217		85	220	175	36	24	63	87.6	23	34.1	M20	UC 217			
UCF 218-56	3-1/2		235	187	40	25	68	96.3	23	39.7	M20	UC 218-56	F218	11.60	
UCF 218		90										UC 218			

Chumacera Base Roscada UCPA



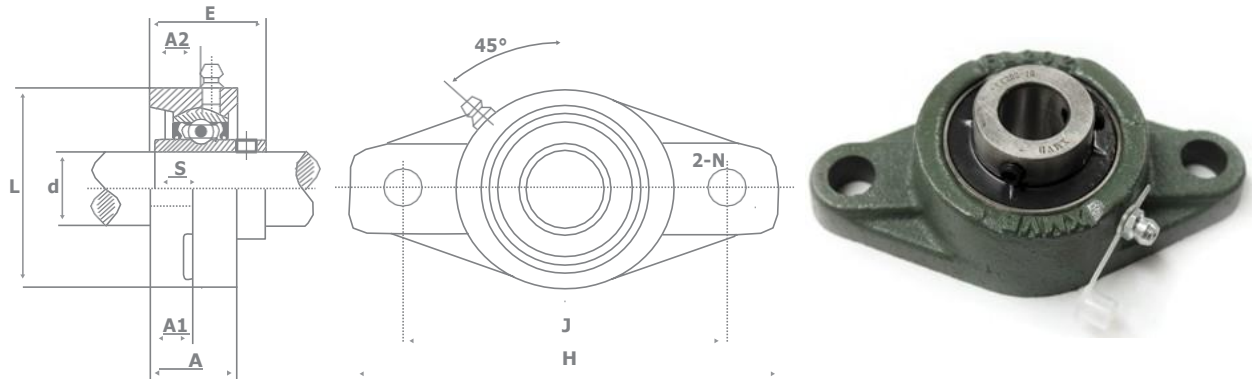
NO. CHUMACERA	DIÁMETRO DE EJE d		DIMENSIONES (MM)/(PULGADA)										NO. REPUESTO	NO. CAJA	PESO (kg)		
	PULGADAS	MM	H	L	J	A	H0	H1	S	B	F	M					
UCPA 202		15													UC 202		
UCPA 202-10	5/8	17	30.2	70	48	36	57	10	11.5	27.4	9	M8	UC 202-10	PA203	--		
UCPA 203													UC 203				
UCPA 203-11	11/16										13		UC 203-11				
UCPA 204-12	3/4	20	30.2	76	52	40	62	11	12.7	31	15	M10X1.5	UC 204-12	PA204	0.6		
UCPA 204													UC 204				
UCPA 205-14	7/8												UC205-14	PA205	0.8		
UCPA 205-15	15/16												UC205-15				
UCPA 205		25	36.5	84	56	38	72	12	14.3	34	18	M10X1.5	UC 205				
UCPA 205-16	1												UC 205-16				
UCPA 206-18	1-1/8												UC 206-18	PA206	1.2		
UCPA 206		30	42.9	94	66	48	84	13	15.9	38.1	20	M14X2	UC 206				
UCPA 206-19	1-3/16												UC206-19				
UCPA 206-20	1-1/4												UC206-20				
UCPA 207-20	1-1/4										20		UC 207-20	PA207	1.7		
UCPA 207-21	1-5/16												UC 207-21				
UCPA 207-22	1-3/8												UC 207-22				
UCPA 207		35	47.6	110	80	48	95	13	17.5	42.9	25	M14X2	UC 207				
UCPA 207-23	1-7/16												UC 207-23				
UCPA 208-24	1-1/2												UC208-24	PA208	2.0		
UCPA 208-25	1-9/16												UC208-25				
UCPA 208		40	49.2	116	84	54	100	13	19	49.2	25	M14X2	UC 208				
UCPA 209-26	1-5/8												UC209-26	PA209	2.2		
UCPA 209-27	1-11/16												UC 209-27				
UCPA 209-28	1-3/4												UC209-28				
UCPA 209		45	54.2	120	90	60	108	13	19	49.2	25	M14X2	UC 209				
UCPA 210-30	1-7/8												UC210-30	PA210	2.8		
UCPA 210-31	1-15/16												UC210-31				
UCPA 210		50	57.2	130	94	60	116	14	19	51.6	25	M16X2	UC 210				
UCPA 210-32	2												UC 210-32				
UCPA 211-32	2												UC 211-32	PA211	3.0		
UCPA 211-34	2-1/8												UC 211-34				
UCPA 211		55	63.5	140	104	66	125	14	22.2	55.6	25	M16X2	UC 211				
UCPA 211-35	2-3/16												UC 211-35				
UCPA 212-36	2-1/4												UC 212-36	PA212	4.24		
UCPA 212		60	69.9	150	114	68	138	15	25.4	65.1		M16X2	UC 212				
UCPA 212-38	2-3/8												UC 212-38				
UCPA 212-39	2-7/16												UC 212-39				
UCPA 212-40	2-3/8												UC 212-40	PA213	--		
UCPA 213	2-1/2	65	76.2	160	124	70	150	15	25.4	65.1		M16X2	UC 213				

Brida Redonda



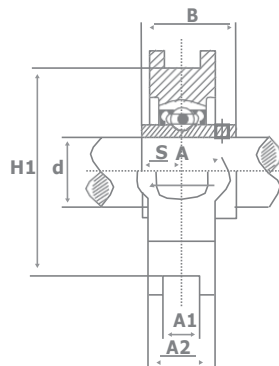
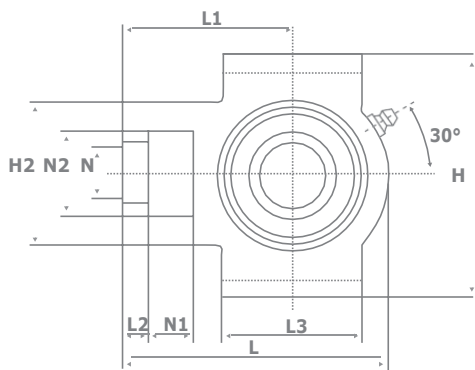
NO. CHUMACERA	DIÁMETRO DE EJE		DIMENSIONES (MM)/(PULGADA)													PERNO	NO. REPUESTO	NO. CAJA	PESO (kg)
	PULGADAS	MM	L	P	A2	A1	A	j	K	N	J	F	S	E					
UCFC 202		15															UC 202		
UCFC 202-10	5/8		90	70	10	19	23	4	5	10	49.5	55	11.5	25.9	M8	UC 202-10	FC203	0.54	
UCFC 203		17														UC 203			
UCFC 203-11	11/16															UC 203-11			
UCFC 204-12	3/4															UC 204-12			
UCFC 204		20	100	78	10	20.5	25.5	5	6	11.5	55.1	62	12.7	28.3	M10	UC 204	FC204	0.76	
UCFC 205-14	7/8															UC 205-14			
UCFC 205-15	15/16															UC 205-15			
UCFC 205		25	115	90	10	21	27	6	7	12	63.6	70	14.3	29.7	M10	UC 205	FC205	0.96	
UCFC 205-16	1															UC 205-16			
UCFC 206-18	1-1/8															UC 206-18			
UCFC 206		30	125	100	10	23	31	8	8	12	70.7	80	15.9	32.2	M10	UC 206	FC206	1.37	
UCFC 206-19	1-3/16															UC 206-19			
UCFC 206-20	1-1/4															UC 206-20			
UCFC 207-20	1-1/4															UC 207-20			
UCFC 207-21	1-5/16															UC 207-21			
UCFC 207-22	1-3/8															UC 207-22			
UCFC 207		35	135	110	11	26	34	8	9	14	77.8	90	17.5	36.4	M12	UC 207	FC207	1.7	
UCFC 207-23	1-7/16															UC 207-23			
UCFC 208-24	1-1/2															UC 208-24			
UCFC 208-25	1-9/16															UC 208-25			
UCFC 208		40	145	120	11	26	36	10	9	14	84.8	100	19	41.2	M12	UC 208	FC208	2.0	
UCFC 209-26	1-5/8															UC 209-26			
UCFC 209-27	1-11/16															UC 209-27			
UCFC 209-28	1-3/4															UC 209-28			
UCFC 209		45	160	132	10	26	38	12	10	16	93.3	105	19	40.2	M14	UC 209	FC209	2.7	
UCFC 210-30	1-7/8															UC 210-30			
UCFC 210-31	1-15/16															UC 210-31			
UCFC 210		50	165	138	10	28	40	12	14	16	97.6	110	19	42.6	M14	UC 210	FC210	2.9	
UCFC 211-32	2															UC 211-32			
UCFC 211-34	2-1/8															UC 211-34			
UCFC 211		55	185	150	13	30	42	12	13	19	106.1	125	22.2	46.4	M16	UC 211	FC211		
UCFC 211-35	2-3/16															UC 211-35		4.2	
UCFC 212-36	2-1/4															UC 212-36			
UCFC 212		60	195	160	17	36	48	12	15	19	113.1	135	25.4	56.7	M16	UC 212	FC212	4.94	
UCFC 212-38	2-3/8															UC 212-38			
UCFC 212-39	2-7/16															UC 212-39			
UCFC 213-40	2-1/2															UC 213-40			
UCFC 213		65	205	170	16	35	49	14	15	19	120.2	145	25.4	55.7	M16	UC 213	FC213	5.7	
UCFC 214-44	2-3/4															UC 214-44			
UCFC 214		70	215	177	17	38	52	14	16	19	125.1	150	30.2	61.4	M16	UC 214	FC214	6.8	
UCFC 215																UC 215			
UCFC 215-48	3		75	220	184	18	39	55	16	17	130.1	160	33.3	62.5	M16	UC 215-48	FC215	7.2	
UCFC 216		80	240	200	18	42	58	16	18	23	141.1	170	33.3	67.3	M20	UC 216	FC216	8.7	
UCFC 217-52	3-1/4															UC 217-52			
UCFC 217		85	250	208	18	45	63	18	20	23	147.1	180	34.1	69.6	M20	UC 217	FC217	10.3	
UCFC 218-56	3-1/2															UC 218-56			
UCFC 218		90	265	220	22	50	68	18	20	23	155.5	190	39.7	78.3	M20	UC 218	FC218	13.5	

Chumacera para Pared 2 Tornillos UCFL



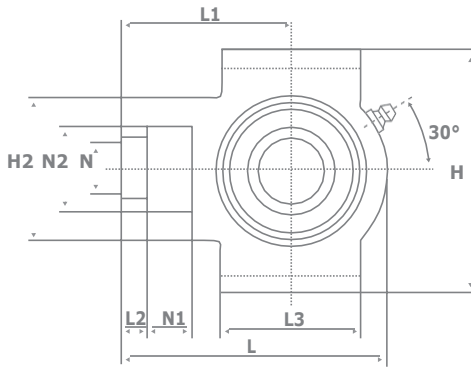
NO. CHUMACERA	DIÁMETRO DE EJE		DIMENSIONES (MM)/(PULGADA)									PERNO	NO. REPUESTO	NO. CAJA	PESO (kg)	
	PULGADAS	MM	H	J	L	A2	A1	A	E	N	S					
UCFL 202		15														
UCFL 202-10	5/8	15	99	76.5	57	15	11	25.5	30.9	11.5	11.5	M10	UC 202	FL203	0.43	
UCFL 203		17											UC 202-10			
UCFL 203-11	11/16	17											UC 203			
UCFL 204-12	3/4	20	113	90	60	15	11	25.5	33.3	11.5	12.7	M10	UC 203-11	FL204	0.48	
UCFL 204		20											UC 204-12			
UCFL 205-14	7/8	20											UC 204			
UCFL 205-15	15/16	25	130	99	68	16	13	27	35.7	11.5	14.3	M10	UC 205-14	FL205	0.6	
UCFL 205		25											UC 205-15			
UCFL 205-16	1	25											UC 205			
UCFL 206-18	1-1/8	30	148	117	80	18	13	31	40.2	11.5	15.9	M10	UC 205-16	FL206	0.9	
UCFL 206		30											UC 206-18			
UCFL 206-19	1-3/16	30											UC 206			
UCFL 206-20	1-1/4	35	161	130	90	19	14	34	44.4	14	17.5	M12	UC 206-19	FL207	1.2	
UCFL 207-20	1-1/4	35											UC 206-20			
UCFL 207-21	1-5/16	35											UC 207-20			
UCFL 207		40	175	144	100	21	14	36	51.2	14	19	M12	UC 207-21	FL208	1.5	
UCFL 207-23	1-7/16	40											UC 207			
UCFL 208-24	1-1/2	40											UC 207-23			
UCFL 208-25	1-9/16	45	188	148	108	22	16	38	52.2	18	19	M16	UC 208-24	FL209	1.9	
UCFL 208		45											UC 208-25			
UCFL 209-26	1-5/8	45											UC 208			
UCFL 209-27	1-11/16	50	197	157	115	22	16	40	54.6	18	19	M16	UC 209-26	FL210	2.2	
UCFL 209-28	1-3/4	50											UC 209-27			
UCFL 209		50											UC 209-28			
UCFL 210-30	1-7/8	55	224	184	130	25	18	43	58.4	18	22.2	M16	UC 209	FL211	3.1	
UCFL 210-31	1-15/16	55											UC 210-30			
UCFL 210		55											UC 210-31			
UCFL 210-32	2	60	250	202	140	29	18	48	68.7	18	25.4	M16	UC 210	FL212	4.0	
UCFL 211-32	2	60											UC 210-32			
UCFL 211-34	2-1/8	60											UC 211-32			
UCFL 211		65	258	210	155	30	20	50	69.7	23	25.4	M20	UC 211-34	FL213	5.0	
UCFL 211-35	2-3/16	65											UC 211			
UCFL 212-36	2-1/4	65											UC 211-35			
UCFL 212		70	265	216	160	31	20	54	75.4	23	30.2	M20	UC 212-36	FL214	5.6	
UCFL 212-38	2-3/8	70											UC 212			
UCFL 213-40	2-1/2	75	275	225	164	34	22	55	78.5	23	33.3	M20	UC 212-38			
UCFL 213		80	290	233	180	34	22	58	83.3	25	33.3	M22	UC 213-40	FL215	6.2	
UCFL 214-44	2-3/4	80											UC 213			
UCFL 214		85	305	248	190	36	22	63	87.6	25	34.1	M22	UC 214-44			
UCFL 215-47	2-15/16	85	320	265	205	40	23	68	96.3	25	39.7	M22	UC 214	FL216	7.8	
UCFL 215		85											UC 215-47			
UCFL 215-48	3	85											UC 215			
UCFL 216		90											UC 215-48	FL217	9.8	
UCFL 217-52	3-1/4	90											UC 216			
UCFL 217		90											UC 217-52			
UCFL 218-56	3-1/2	90											UC 217	FL218	12.4	
UCFL 218		90											UC 218-56			
													UC 218			

Chumacera Tensora UCST



NO. CHUMACERA	DIÁMETRO DE EJE		DIMENSIONES (MM)/(PULGADA)															NO. REPUESTO	NO. CAJA	PESO (kg)	
	PULGADAS	MM	N1	L2	H2	N2	N	L3	A1	H1	H	L	A	A2	L1	B	S				
UCST 201-8	1/2																	UC 201-8			
UCST 202-10	5/8																	UC 202-10			
UCST 204-12	3/4		16	10	51	32	19	51	13.5	76	89	94	32	21	61	31	12.7	UC 204-12	ST204	0.79	
UCST 204		20																UC 204			
UCST 205-14	7/8																	UC 205-14			
UCST 205-15	15/16		16	10	51	32	19	57	13.5	76	89	97	32	24	62	34	14.3	UC 205-15	ST205	0.88	
UCST 205		20																UC 205			
UCST 205-16	1																	UC 205-16			
UCST 206-18	1-1/8																	UC 206-18			
UCST 206		30	16	13	56	37	22	64	13.5	89	102	113		37	28	70	38.1	15.9	UC 206	ST206	1.3
UCST 206-20	1-1/4																	UC 206-20			
UCST 207-20	1-1/4																	UC 207-20			
UCST 207-21	1-5/16		16	16	64	37	22	83	13.5	89	102	129		37	30	78	42.9	17.5	UC 207-21	ST207	1.7
UCST 207-22	1-3/8																	UC 207-22			
UCST 207		35																UC 207			
UCST 207-23	1-7/16																	UC 207-23			
UCST 208-24	1-1/2		19	16	83	49	29	83	17.5	102	114	144		49	33	88	49.2	19	UC 208-24	ST208	2.5
UCST 208		40																UC 208			
UCST 209-26	1-5/8																	UC 209-26			
UCST 209-27	1-11/16		19	16	83	49	29	29	17.5	102	117	144		49	35	87	49.2	19	UC 209-27	ST209	2.5
UCST 209		45																UC 209			
UCST 210-30	1-7/8																	UC 210-30			
UCST 210-31	1-15/16		19	16	83	49	29	86	17.5	102	117	149		49	37	90	51.6	19	UC 210-31	ST210	2.6
UCST 211-32	2																	UC 211-32			
UCST 211-34	2-1/8																	UC 211-34			
UCST 211		55	25	19	102	64	35	95	27	130	146	171		64	38	106	55.6	22.2	UC 211	ST211	4.0
UCST 212-36	2-1/4																	UC 212-36			
UCST 212		60																UC 212			
UCST 212-38	2-3/8		32	19	102	64	35	102	27	130	146	194		64	42	119	65.1	25.4	UC 212-38	ST212	4.9
UCST 212		60																UC 212			

Chumacera Tensora UCT



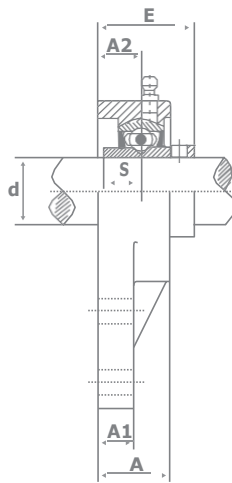
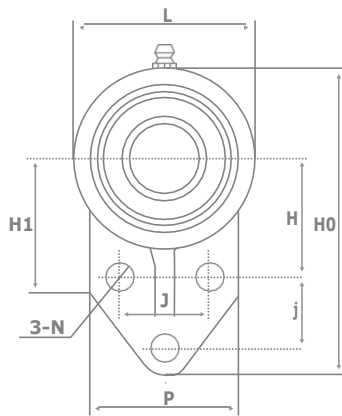
S A



NO. CHUMACERA	DIÁMETRO DE EJE		DIMENSIONES (MM)/(PULGADA)															NO. REPUESTO	NO. CAJA	PESO (kg)
	PULGADAS	MM	N1	L2	H2	N2	N	L3	A1	H1	H	L	A	A2	L1	B	S			
UCT 204-12 UCT 204	3/4	20	16	10	51	32	19	51	12	76	89	94	32	21	61	31	12.7	UC 204-12 UC 204	T204	0.79
UCT 205-14 UCT 205-15 UCT 205	7/8 15/16	25	16	10	51	32	19	51	12	76	89	97	32	24	62	34	14.3	UC 205-14 UC 205-15 UC 205	T205	0.88
UCT 205-16 UCT 206-18 UCT 206	1 1-1/8	30	16	10	56	37	22	57	12	89	102	113	37	28	70	38.1	15.9	UC 205-16 UC 206-18 UC 206	T206	1.3
UCT 206-19 UCT 206-20 UCT 207-20	1-3/16 1-1/4																	UC 206-19 UC 206-20 UC 207-20		
UCT 207-21 UCT 207-22 UCT 207	1-5/16 1-3/8	35	16	13	64	37	22	64	12	89	102	129	37	30	78	42.9	17.5	UC 207-21 UC 207-22 UC 207	T207	1.7
UCT 207-23 UCT 208-24 UCT 208-25 UCT 208	1-7/16 1-1/2 1-9/16	40	19	16	83	49	29	83	16	102	114	144	49	33	88	49.2	19	UC 207-23 UC 208-24 UC 208-25 UC 208	T208	2.5
UCT 209-26 UCT 209-27 UCT 209-28 UCT 209	1-5/8 1-11/16 1-3/4	45	19	16	83	49	29	83	16	102	117	144	49	35	87	49.2	19	UC 209-26 UC 209-27 UC 209-28 UC 209	T209	2.5
UCT 210-30 UCT 210-31 UCT 210	1-7/8 1-15/16	50	19	16	83	49	29	86	16	102	117	149	49	37	90	51.6	19	UC 210-30 UC 210-31 UC 210	T210	2.6
UCT 211-32 UCT 211-34 UCT 211	2 2-1/8	55	25	19	102	64	35	95	22	130	146	171	64	38	106	55.6	22.2	UC 211-32 UC 211-34 UC 211	T211	4.0
UCT 211-35 UCT 212-36 UCT 212	2-3/16 2-1/4	60	32	19	102	64	35	102	22	130	146	194	64	42	119	65.1	25.4	UC 211-35 UC 212-36 UC 212	T212	4.9
UCT 212-38 UCT 212-39 UCT 213-40 UCT 213	2-3/8 2-7/16 2-1/2	65	32	21	111	70	41	121	26	151	167	224	70	44	137	65.1	25.4	UC 212-38 UC 212-39 UC 213-40 UC 213	T213	7.0
UCT 214-44 UCT 214	2-3/4	70	32	21	111	70	41	121	26	151	167	224	70	46	137	74.6	30.2	UC 214-44 UC 214	T214	7.1
UCT 215 UCT 215-48	3	75	32	21	111	70	41	121	26	151	167	232	70	48	140	77.8	33.3	UC 215 UC 215-48	T215	7.5
UCT 216 UCT 217-52 UCT 217	3-1/4	85	32	21	111	70	41	121	26	165	184	235	70	51	140	82.6	33.3	UC 216 UC 217-52 UC 217	T216 T217	8.2 11.0

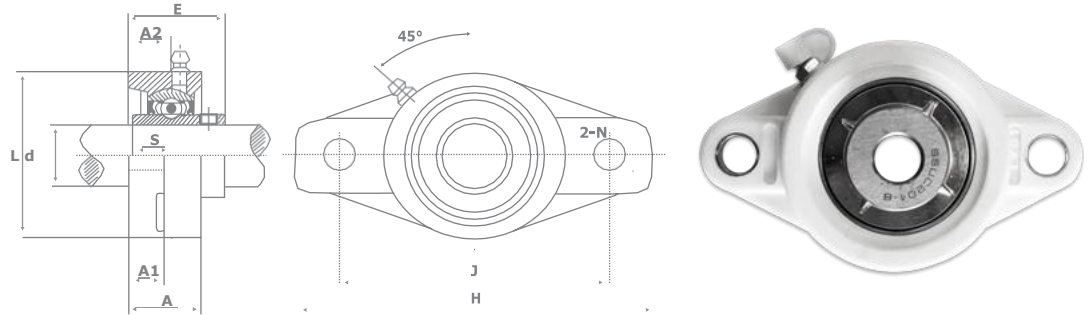
Chumacera Pata de Gallo UCFB

www.solindececuador.ec
solindeventas@gmail.com



NO. CHUMACERA	DIÁMETRO DE EJE		DIMENSIONES (MM)/(PULGADA)													PERNO	NO. REPUESTO	NO. CAJA	PESO (kg)		
	PULGADAS	MM	H0	L	H1	P	H	j	J	A	A1	A2	N	E	S						
UCFB 202		15																UC 202			
UCFB 202-10	5/8	15	104	55	50	49	40	27	30	23.5	10	14	10	29.9	11.5			UC 202-10	FB203	0.41	
UCFB 203		17																UC 203			
UCFB 203-11	11/16	17																UC 203-11			
UCFB 204-12	3/4	20	109	60	52	52	42	27	32	25.5	11	15	10	33.3	12.7			UC 204-12	FB204	0.62	
UCFB 204		20																UC 204			
UCFB 205-14	7/8	25	116	68	52	56	45	27	34	27	13	16	10	35.7	14.3			UC205-14			
UCFB 205-15	15/16	25																UC205-15	FB205	0.69	
UCFB 205		25																UC 205			
UCFB 205-16	1	30																UC 205-16			
UCFB 206-18	1-1/8	30																UC 206-18	FB206	0.93	
UCFB 206		30																UC 206			
UCFB 206-19	1-3/16	35	132	80	55	65	50	29	40	31	13	18	10	40.2	15.9			UC206-19			
UCFB 206-20	1-1/4	35																UC206-20			
UCFB 207-20	1-1/4	35																UC 207-20			
UCFB 207-21	1-5/16	35																UC207-21	FB207	1.3	
UCFB 207-22	1-3/8	35	144	90	62	70	55	32	46	33	14	19	10	44.4	17.5			UC 207-22			
UCFB 207		35																UC 207			
UCFB 207-23	1-7/16	40																UC 207-23			
UCFB 208-24	1-1/2	40																UC 208-24	FB208	1.8	
UCFB 208-25	1-9/16	40	164	100	72	78	60	41	50	35	17	21	12	51.2	19			UC 208-25			
UCFB 208		40																UC 208			
UCFB 209-26	1-5/8	45																UC209-26			
UCFB 209-27	1-11/16	45	175	108	76	80	65	43	54	38	16	22	12	52.2	19			UC 209-27	FB209	2.0	
UCFB 209-28	1-3/4	45																UC209-28			
UCFB 209		45																UC 209			
UCFB 210-30	1-7/8	50																UC210-30			
UCFB 210-31	1-15/16	50	184	114	82	86	68	46	58	39	16	22	12	54.6	19			UC210-31	FB210	2.3	
UCFB 210		50																UC 210			
UCFB 210-3	2	55																UC 210-3			
UCFB 211-32	2	55																UC 211-32			
UCFB 211-34	2-1/8	55	207	128	86	90	78	50	62	42.5	18	25	14	58.4	22.2			UC 211-34	FB211		
UCFB 211		55																UC 211			
UCFB 211-35	2-3/16	60																UC 211-35			
UCFB 212-36	2-1/4	60																UC 212-36			
UCFB 212		60																UC 212			
UCFB 212-38	2-3/8	65	224	140	90	94	84	55	66	47.5	19	29	14	68.7	25.4			UC 212-38	FB212		
UCFB 212-39	2-7/16	65																UC 212-39			
UCFB 213-40	2-1/2	65	244	152	95	102	92	60	70	49	20	30	14	69.7	25.4			UC 213-40			
UCFB 213		65																UC 213	FB213		

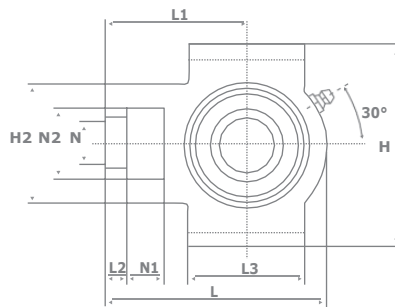
Chumacera Alimenticia para Pared 2 Tornillos UCFL (TERMOPLÁSTICA)



CÓDIGO	CHUMACERA	Ø DE EJE PULGADAS	DIMENSIONES (MM)/(PULGADA)										PERNO USADO	NO. REPUESTO	NO. CAJA	PESO (kg)	
			H	J	L	A2	A1	A	E	N	S						
A-16155	UCFL201-8	1/2	--	--	--	--	--	--	--	--	--	--	--	--	UC201-8	--	--
A-16157	UCFL202-10	5/8	99	76.5	57	15	11	25.5	30.9	11.5	11.5	M10	UC202-10	FL203	0.43		
A-16160	UCFL204-12	3/4	113	90	60	15	11	25.5	33.3	11.5	12.7	M10	UC204-12	FL204	0.48		
A-16165	UCFL205-16	1	130	99	68	16	13	27	35.7	11.5	14.3	M10	UC205-16	FL205	0.6		
A-16170	UCFL206-18	1-1/8	148	117	80	18	13	31	40.2	11.5	15.9	M10	UC206-18	FL206	0.9		
A-16175	UCFL206-19	1-3/16	148	117	80	18	13	31	40.2	11.5	15.9	M10	UC206-19	FL206	0.9		
A-16180	UCFL207-20	1-1/4	161	130	90	19	14	34	44.4	14	17.5	M12	UC207-20	FL207	1.2		
A-16183	UCFL207-22	1-3/8															
A-16185	UCFL208-24	1-1/2	175	144	100	21	14	36	51.2	14	19	M12	UC208-24	FL208	1.5		

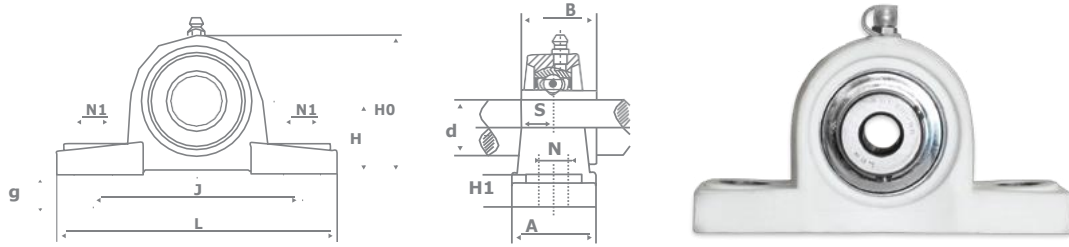
Chumacera Alimenticia Tensora UCT (TERMOPLÁSTICA)

SOLINDEC
Soluciones Industriales EC



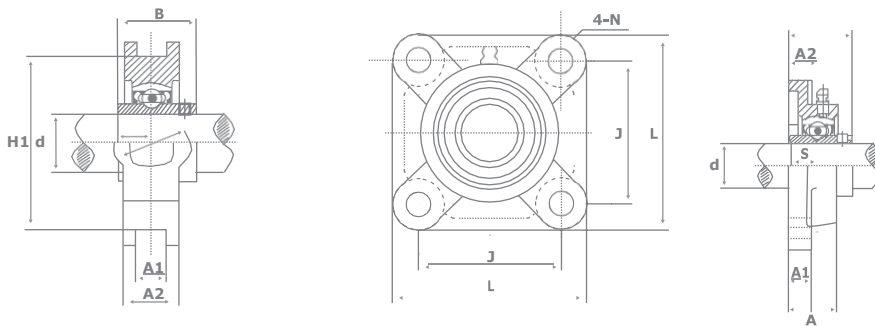
CÓDIGO	NO. CHUMACERA	Ø DE EJE PULGADAS	DIMENSIONES (MM)/(PULGADA)															NO. REPUESTO	NO. CAJA	PESO (kg)	
			N1	L2	H2	N2	N	L3	A1	H1	H	L	A	A2	L1	B	S				
A-16200	UCT204-12	3/4	16	10	51	32	19	51	12	76	89	94	32	21	61	31	12.7	UC204-12	T204	0.79	
A-16205	UCT205-16	1	16	10	51	32	19	51	12	76	89	97	32	24	62	34	14.3	UC205-16	T205	0.88	
A-16207	UCT206-19	1-3/16																			
A-16210	UCT207-20	1-1/4	16	13	64	37	22	64	12	89	102	129	37	30	78	42.9	17.5	UC207-20	T207	1.7	
A-16213	UCT207-22	1-3/8																			
A-16215	UCT208-24	1-1/2	19	16	83	49	29	83	16	102	114	144	49	33	88	49.2	19	UC208-24	T208	2.5	

Chumacera Alimenticia de Piso UCP (TERMOPLÁSTICA)



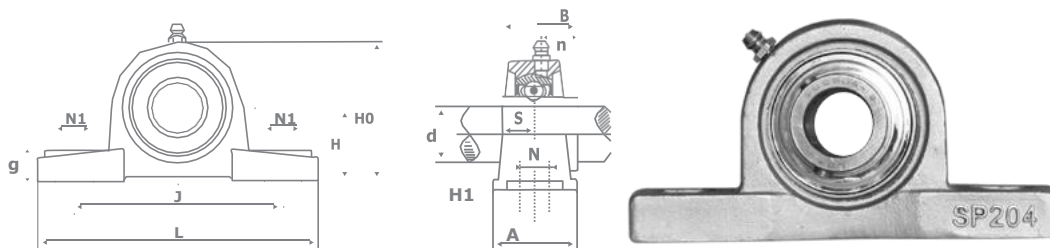
CÓDIGO	NO. CHUMACERA	Ø DE EJE d PULGADAS	DIMENSIONES (MM)/(PULGADA)										PERNO USADO		NO. REPUESTO	NO. CAJA	PESO (kg)
			H	L	J	A	N1	N	g	H0	B	n	(mm)	(in)			
A-16065	UCP201-8	1/2	30.2	125	95	38	19	13	14	62	31	12.7	M10	3/8	UC201-8	P203	0.33
A-16070	UCP202-10	5/8	33.3	127	95	38	19	13	14	65	31	12.7	M10	3/8	UC204-12	P204	0.46
A-16075	UCP204-12	3/4	33.3	127	95	38	19	13	14	65	31	12.7	M10	3/8	UC205-15	P205	0.60
A-16080	UCP205-16	1	36.5	140	105	38	19	13	15	71	34.1	14.3	M10	3/8	UC206-18	P206	0.97
A-16085	UCP206-18	1-1/8	42.9	165	121	48	21	17	17	83	38.1	15.9	M14	1/2	UC206-19	P206	1.00
A-16090	UCP206-19	1-3/16	42.9	165	121	48	21	17	17	83	38.1	15.9	M14	1/2	UC206-19	P206	1.30
A-16095	UCP207-20	1-1/4	47.6	167	127	48	21	17	18	93	42.9	17.5	M14	1/2	UC207-20	P207	1.30
A-16097	UCP207-22	1-3/8	47.6	167	127	48	21	17	18	93	42.9	17.5	M14	1/2	UC207-20	P207	1.30
A-16100	UCP208-24	1-1/2	49.2	184	137	54	21	17	18	98	49.2	19.0	M14	1/2	UC208-24	P208	1.30
A-16102	UCP209-28	1-3/4	57.2	206	159	60	25	20	21	114	51.6	19.0	M16	5/8	UC210-32	P210	1.83
A-16105	UCP210-32	2	57.2	206	159	60	25	20	21	114	51.6	19.0	M16	5/8	UC210-32	P210	1.83
A-16108	UCP211-32	2	57.2	206	159	60	25	20	21	114	51.6	19.0	M16	5/8	UC210-32	P210	1.83

Chumacera Alimenticia de Pared 4 Tornillos UCF (TERMOPLÁSTICA)



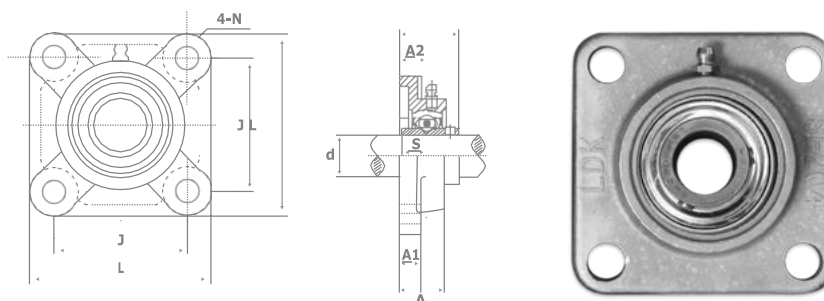
CÓDIGO	CHUMACERA	Ø DE EJE d PULGADAS	DIMENSIONES (MM)/(PULGADA)								PERNO	REPUESTO	NO. CAJA	PESO (kg)	
			L	J	A2	A1	A	E	N	S					
A-16120	UCF 201-8	1/2													
A-16110	UCF 202-10	5/8	76	54	15	11	25.5	30.9	11.5	11.5	M10	UC 202-10	F203	0.57	
A-16115	UCF 204-12	3/4	86	64	15	11	25.5	33.3	11.5	12.7	M10	UC 204-12	F204	0.61	
A-16125	UCF 205-16	1	95	70	16	13	27	35.7	11.5	14.3	M10	UC 205-16	F205	0.80	
A-16130	UCF 206-18	1-1/8	108	83	18	13	31	40.2	11.5	15.9	M10	UC 206-18	F206	1.07	
A-16135	UCF 206-19	1-3/16	108	83	18	13	31	40.2	11.5	15.9	M10	UC 206-19	F206	1.07	
A-16145	UCF 207-20	1-1/4	117	92	19	15	34	44.4	14	17.5	M12	UC 207-20	F207	1.40	
A-16147	UCF 207-22	1-3/8	117	92	19	15	34	44.4	14	17.5	M12	UC 207-20	F207	1.40	
A-16140	UCF 208-24	1-1/2	130	102	21	15	36	51.2	14	19	M12	UC 208-24	F208	1.80	
A-16150	UCF 209-28	1-3/4	130	102	21	15	36	51.2	14	19	M12	UC 208-24	F208	1.80	

Chumacera Inox. Alimenticia de Piso UCP



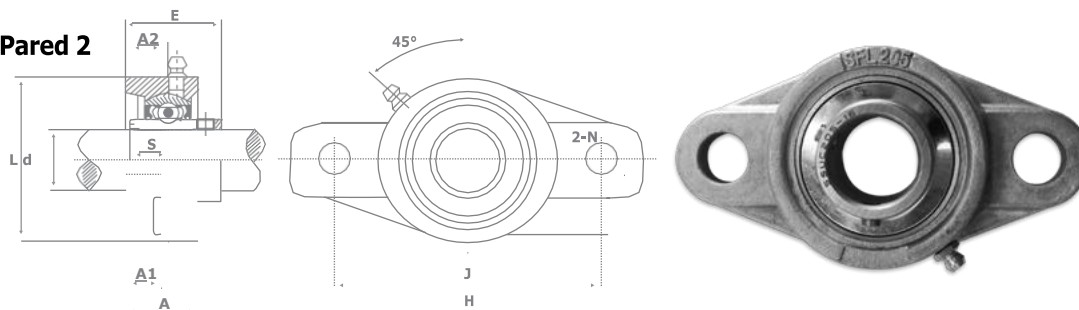
CÓDIGO	NO. CHUMACERA	Ø DE EJE		DIMENSIONES (MM)/(PULGADA)												PERNO USADO	NO. REPUESTO	NO. CAJA	PESO (kg)
		d	PULGADAS	h	a	e	b	S2	S1	g	w	t	Z	B	n				
A-16250	UCT204-12	3/4		33.3	127	95	38	19	13	14	65	2	51	31	12.7	M10	UC204-12	P204	0.46
A-16255	UCT205-16	1		36.5	140	105	38	19	13	15	71	2	57	34.1	14.3	M10	UC205-16	P205	0.60
A-16260	UCT207-20	1-1/4		47.6	167	127	48	21	17	18	93	3	72	42.9	17.5	M14	UC207-20	P207	1.00
A-16265	UCT208-24	1-1/2		49.2	184	137	54	21	17	18	98	3	82	42.9	19	M14	UC208-24	P208	1.30

Chumacera Inox. Alimenticia de Pared 4 Tornillos UCF



CÓDIGO	NO. CHUMACERA	Ø DE EJE		DIMENSIONES (MM)/(PULGADA)								PERNO	NO. REPUESTO	NO. CAJA	PESO (kg)
		d	PULGADAS	L	J	A2	A1	A	E	N	S				
A-16270	UCF 204-12	3/4		86	64	15	11	25.5	33.3	11.5	12.7	M10	UC204-12	F204	0.61
A-16275	UCF 205-16	1		95	70	16	13	27	35.7	11.5	14.3	M10	UC205-16	F205	0.80
A-16285	UCF 207-20	1-1/4		117	92	19	15	34	44.4	14	17.5	M12	UC207-20	F207	1.40
A-16290	UCF 208-24	1-1/2		130	102	21	15	36	51.2	14	19	M12	UC208-24	F208	1.80

Inox. Alimenticia para Pared 2 Tornillos UCFL



CÓDIGO	NO. CHUMACERA	Ø DE EJE		DIMENSIONES (MM)/(PULGADA)								PERNO USADO	NO. REPUESTO	NO. CAJA	PESO (kg)	
		d	PULGADAS	H	J	L	A2	A1	A	E	N					S
A-16295	UCFL204-12	3/4		113	90	60	15	11	25.5	33.3	11.5	12.7	M10	UC204-12	FL204	0.48
A-16300	UCFL205-16	1		130	99	68	16	13	27	35.7	11.5	14.3	M10	UC205-16	FL205	0.6
A-16310	UCFL207-20	1-1/4		161	130	90	19	14	34	44.4	14	17.5	M12	UC207-20	FL207	1.2
A-16315	UCFL208-24	1-1/2		175	144	100	21	14	36	51.2	14	19	M12	UC208-24	FL208	1.5

PAVONADA
Diente templado
SENCILLA



PAVONADA
Diente templado
DOBLE



TROPICALIZADA
Diente no templado



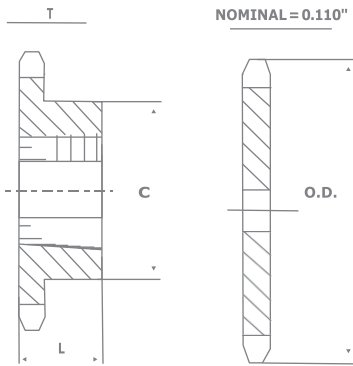
COLOR NATURAL
Diente no templado



COLOR NATURAL
Diente templado

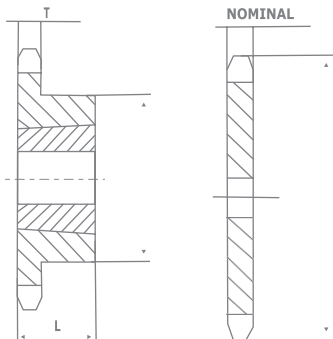


Catarina No. 25 Tipo B para Cadena de 1/4"

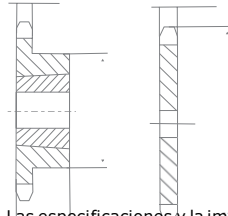


CÓDIGO	TIPO B				CALIBRE			
	# DIENTES	# CATARINA	O.D.	STOCK	MAX	HD	LTB	WT. LBS
A-19880	9	25B9	0.837	1/4	1/4	7/16	1/2	0.03
A-19882	10	25B10	0.919	1/4	1/4	1/2	1/2	0.03
A-19884	11	25B11	1.002	1/4	5/16	9/16	1/2	0.04
A-19886	12	25B12	1.083	1/4	3/8	5/8	1/2	0.06
A-19888	13	25B13	1.167	1/4	7/16	23/32	1/2	0.07
A-19890	14	25B14	1.246	1/4	6/16	13/16	1/2	0.08
A-19892	15	25B15	1.326	1/4	6/16	57/64	1/2	0.10
A-19894	16	25B16	1.407	1/4	6/16	31/32	1/2	0.12
A-19895	17	25B17	1.487	1/4	5/8	1-1/32	1/2	0.14
A-19896	18	25B18	1.568	1/4	3/4	1-1/8	1/2	0.16
A-19897	19	25B19	1.648	1/4	13/16	1-7/16	1/2	0.19
A-19898	20	25B20	1.729	1/4	7/8	1-1/2	1/2	0.25
A-19899	21	25B21	1.809	1/4	7/8	1-1/21-1/2	1/2	0.28
A-19900	22	25B22	1.889	1/4	15/16	1-1/21-1/2	1/2	0.31
A-19900-2	23	25B23	1.969	1/4	1	1-1/21-1/2	1/2	0.32
A-19901	24	25B24	2.049	3/8	1	1-1/21-1/2	1/2	0.33
A-19902	26	25B26	2.209	3/8	1	1-1/21-1/25/8	0.35	
A-19902-2	27	25B27	2.289	3/8	1	1-1/21-1/25/8		
A-19902-3	28	25B28	2.369	3/8	1	1-1/21-1/25/8	0.36	
A-19902-4	29	25B29	2.449	3/8	1	1-1/2	5/8	
A-19902-5	30	25B30	2.529	3/8	1	2	5/8	0.38
A-19902-6	31	25B31	2.609	3/8	1	2	5/8	
A-19902-7	32	25B32	2.688	3/8	1	2	5/8	0.40
A-19902-8	33	25B33	2.768	3/8	1	2	5/8	
A-19903-1	34	25B34	2.848	3/8	1		5/8	
A-19903-2	35	25B35	2.928	3/8	1		3/4	0.38
A-19903-3	36	25B36	3.008	1/2	1		3/4	0.50
A-19903-4	37	25B37	3.088	1/2	1-3/8		3/4	
A-19903-5	38	25B38	3.168	1/2	1-3/8		3/4	
A-19903-6	39	25B39	3.248	1/2	1-3/8		3/4	
A-19903-7	40	25B40	3.327	1/2	1-3/8		3/4	0.53

Catarina No. 35 Tipo B para Cadena de 3/8"



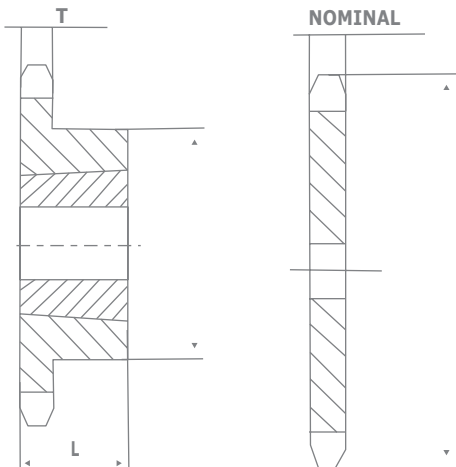
CÓDIGO	TIPO B				CALIBRE			
	# DIENTES	# CATARINA	O.D.	STOCK	MAX	HD	LTB	WT. LB
A-19904	9	35B9	1.260	3/8	3/8	27/32	3/4	0.09
A-19906	10	35B10	1.380	3/8	9/16	31/32	3/4	0.14
A-19908	11	35B11	1.500	3/8	9/16	1-1/16	3/4	0.17
A-19910	12	35B12	1.630	3/8	9/16	1-7/32	3/4	0.20
A-19920	13	35B13	1.750	1/2	11/16	1-1/4	3/4	0.23
A-19922	14	35B14	1.870	1/2	7/8	1-1/4	3/4	0.25
A-19924	15	35B15	1.990	1/2	7/8	1-11/32	3/4	0.29
A-19926	16	35B16	2.110	1/2	15/16	1-15/32	3/4	0.35
A-19928	17	35B17	2.230	1/2	1-1/16	1-19/32	3/4	0.42
A-19930	18	35B18	2.350	1/2	1-3/16	1-23/32	3/4	0.48
A-19932	19	35B19	2.470	1/2	1-1/4	1-27/32	3/4	0.54
A-19934	20	35B20	2.590	1/2	1-5/16	1-15/16	7/8	0.59
A-19935	21	35B21	2.710	1/2	1-3/8	2	7/8	0.80
A-19935-1	22	35B22	2.830	1/2	1-3/8	2	7/8	0.80
A-19935-2	23	35B23	2.950	1/2	1-3/8	2	7/8	0.82
A-19935-3	24	35B24	3.070	1/2	1-3/8	2	7/8	0.88
A-19935-4	26	35B26	3.310	1/2	1-3/8	2	7/8	0.90
A-19935-5	28	35B28	3.550	1/2	1-3/8	2	7/8	0.94
A-19935-6	30	35B30	3.790	1/2	1-3/8	2	7/8	1.02
A-19935-7	31	35B31	3.910	1/2	1-3/8	2	7/8	1.02
A-19935-8	32	35B32	4.030	1/2	1-3/8	2	7/8	1.24
A-19935-9	33	35B33	4.150	1/2	1-3/8	2-1/4	7/8	
A-19936	34	35B34	4.270	5/8	1-3/8	2-1/4	7/8	
A-19936-1	35	35B35	4.390	5/8	1-1/2	2-1/4	7/8	1.50
A-19936-2	36	35B36	4.510	5/8	1-1/2	2-1/4	7/8	1.56
A-19936-3	37	35B37	4.630	5/8	1-1/2	2-1/4	7/8	
A-19936-4	38	35B38	4.750	5/8	1-1/2	2-1/4	7/8	
A-19936-5	39	35B39	4.870	5/8	1-1/2	2-1/4	7/8	
A-19936-6	40	35B40	4.990	5/8	1-1/2	2-1/4	7/8	1.62
A-19937	45	35B45	6.190	5/8	1-1/2	2-1/4	1	1.78



Las especificaciones y la imagen final del producto puede cambiar sin previo aviso.

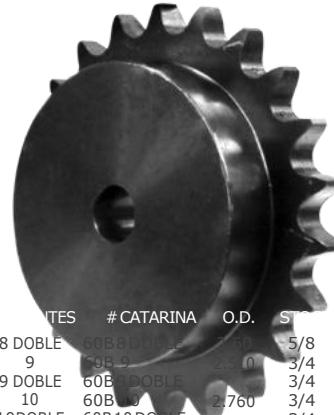


Catarina No. 50 Tipo B para Cadena de 5/8"



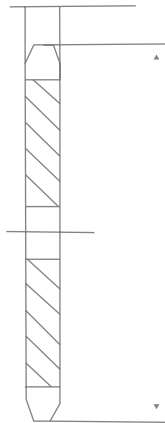
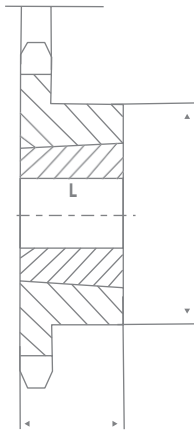
CÓDIGO	TIPOB		CALIBRE				
	# DIENTES	# CATARINA	O.D.	STOCK	MAX	HD	LTB
A-20299-2	9	50B 9	2.090	5/8	3/4	1-3/8	01.36
A-20300	10	50B 10	2.300	5/8	7/8	1-9/16	01.48
A-20302	11	50B 11	2.500	5/8	1	1-3/4	01.64
A-20303	11X1"	50B 11X1"		5/8	1-1/4		1
A-20304	12	50B 12	2.710	5/8	15/16	1-63/64	01.83
A-20306	12X1"	50B 12X1"		5/8	17/16		1
A-20307	12 DOBLE	50B 12 DOBLE		5/8	1-1/2		1
A-20308	13	50B 13	2.910	5/8	1-3/4	1-7/8	01.88
A-20308-1	13***	50B 13***	2.910	5/8	1-7/8	1-7/8	01.88
A-20309	13X1"	50B 13X1"		5/8	1-7/8		1
A-20310	14	50B 14	3.110	5/8	2	2-1/8	11.13
A-20313		50B		5/8	2		1
A-20315	14X1"	50B 14X1"		5/8	2		1
A-20319	14 DOBLE	50B 14 DOBLE		5/8	2	2-3/8	1
A-20320	15	50B 15	3.320	5/8	2	2-3/8	11.34
A-20323	15***	50B 15***	3.320	5/8	2		11.34
A-20325	15X1"	50B 15X1"		5/8	2	2-1/2	1
A-20330	16	50B 16	3.520	5/8	2		11.51
A-20335	16X1"	50B 16X1"		5/8	2		1
A-20336	16X1-1/4	50B 16X1-1/4		5/8	2		1
A-20339	16 DOBLE	50B 16 DOBLE		5/8	2		1
A-20340	17	50B 17	3.720	5/8	2	2-11/16	11.74
A-20343	17 DOBLE	50B 17 DOBLE		5/8	2		1
A-20345	17X1"	50B 17X1"		5/8	2		1
A-20350	18	50B 18	3.920	5/8	2	2-7/8	21.00
A-20355	18X1"	50B 18X1"		5/8	2		1
A-20359	18 DOBLE	50B 18 DOBLE		5/8	2		1
A-20360	19	50B 19	4.120	5/8	2	3	21.22
A-20365	19X1"	50B 19X1"		5/8	2	3	1
A-20370	20	50B 20	4.320	3/4	2	3	21.28
A-20375	20X1"	50B 20X1"		3/4	2	3	1
A-20379	20 DOBLE	50B 20 DOBLE		3/4	2	3	1
A-20380	21	50B 21	4.520	3/4	2	3	21.40
A-20390	22	50B 22	4.720	3/4	2	3	21.56
A-20395	22X1"	50B 22X1"		3/4	2	3	1
A-20399	22 DOBLE	50B 22 DOBLE		3/4	2	3	1
A-20400	23	50B 23	4.920	3/4	2	3	21.66
A-20405	24	50B 24	5.120	3/4	2	3	13/30
A-20410	24*	50B 24*	5.120	3/4	2	3	13/30
A-20415	24X1	50B 24X1		3/4	2	3	1-1/4
A-20419	24 DOBLE	50B 24 DOBLE		3/4	2		10/30
A-20420	25	50B 25	5.320	3/4	2	3	13/30
A-20425	25 DOBLE	50B 25 DOBLE		3/4	2		1-1/4
A-20430	26	50B 26	5.520	3/4	2	3	13/30
A-20439	26 DOBLE	50B 26 DOBLE		3/4	2		1-1/4
A-20440	27	50B 27	5.720	3/4	2	3	13/30
A-20450	28	50B 28	5.920	3/4	2	3	13/30
A-20455	28x1"	50B 28x1"		3/4	2		1-1/4
A-20459	28 DOBLE	50B 28 DOBLE		3/4	2		1-1/4
A-20460	29	50B 29	6.120	3/4	2	3	14/30
A-20470	30	50B 30	6.320	3/4	2-1/4	3-1/4	14/30
A-20479	30 DOBLE	50B 30 DOBLE		3/4	2		1-1/4
A-20480	31	50B 31	6.520	3/4	2-1/4	3-1/4	14/30
A-20490	32	50B 32	6.720	3/4	2-1/4	3-1/4	14/30
A-20492	32X1.25	50B 32X1.25		3/4	2		1-1/4
A-20499	32 DOBLE	50B 32 DOBLE		3/4	2		1-1/4
A-20500	33	50B 33	6.920	3/4	2-1/4	3-1/4	15/30
A-20505	34	50B 34	7.120	3/4	2-1/4	3-1/4	15/30
A-20510	35	50B 35	7.320	3/4	2-1/4	3-1/4	15/30
A-20512	36	50B 36	7.520	3/4	2-1/4	3-1/4	15/30
A-20513	37	50B 37	7.720	3/4	2-1/4	3-1/4	15/30
A-20515	38	50B 38	7.920	3/4	2-1/4	3-1/4	16/30
A-20517	39	50B 39	8.120	3/4	2-1/4	3-1/4	16/30
A-20518	40	50B 40	8.320	3/4	2-1/4	3-1/4	16/30
A-20520	41	50B 41	8.520				
A-20521	42	50B 42	8.720	3/4	2-1/4	3-1/4	16/30
A-20521-1	45	50B 45	9.310	3/4		3-3/4	18/30
A-20522	46	50B 46	9.510				
A-20523	48	50B 48	9.910	1	2-1/2	3-3/4	19/30
A-20524	50	50B 50	10.310	1	2-1/2	3-3/4	19/30
A-20525	54***	50B 54***	11.110	1	2-1/2	3-3/4	19/30
A-20526	55	50B 55	11.310	1			
A-20527	56	50B 56	11.500	1			
A-20527-1	58X1"	50B 58X1"		1			
A-20528	60	50B 60	12.300	1	2-1/2	3-3/4	13.00
A-20529	72	50B 72	14.690	1	2-1/2	3-3/4	19/4
A-20530	80	50B 80	16.280	1	2-3/4	4-1/4	23/44
A-20531	80X1"	50B 80X1"		1			1-3/4
A-20532	80X1.25"	50B 80X1.25"		1			1-3/4

Catarina No. 60 Tipo B para Cadena de 3/4"



T

NOMINAL

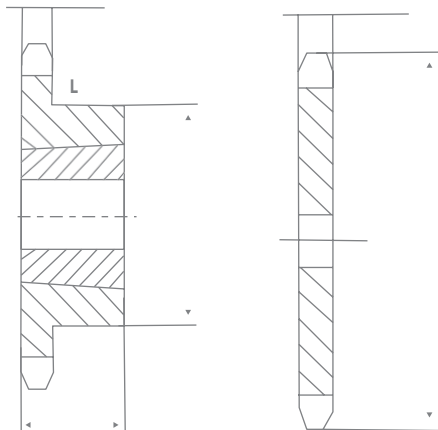


	TIPO	# CATARINA	O.D.	S					
A-20534	8 DOBLE	60B8 DOBLE	2.125	5/8	5/8	1-15/32	1-1/4	0.54	
A-20535	9	60B9	2.375	3/4	7/8	1-9/16	1-1/4	0.64	
A-20538	9 DOBLE	60B9 DOBLE	2.375	3/4			1-1/4		
A-20540	10	60B10	2.760	3/4	1-1/8	1-15/16	1-1/4	0.99	
A-20543	10 DOBLE	60B10 DOBLE		3/4			1-1/4		
A-20550	11	60B11	3.000	3/4	1-5/16	2-1/16	1-1/4	1.16	
A-20555	11	D60B11 DOBLE		3/4			1-1/4		
A-20560	OBLE	60B12	3.250	3/4	1-3/8	2-3/8	1-1/4	1.47	
A-20565	12	60B12 DOBLE		3/4			1-1/4		
A-20570	12	D60B13	3.490	3/4	1-1/2	2-11/32	1-1/4	1.66	
A-20575	OBLE	60B13 DOBLE		3/4			1-1/4		
A-20580	13	60B14	3.740	3/4	1-3/4	2-9/16	1-1/4	2.00	
A-20585	13	D60B14 DOBLE		3/4			1-1/4		
A-20590	OBLE	60B15	3.980	3/4	1-7/8	2-7/8	1-1/4	2.51	
A-20593	14	60B15 ****	3.980	3/4	1-7/8	2-7/8	1-1/4	2.51	
A-20595	14	D60B15 DOBLE		3/4			1-1/4		
A-20600	OBLE	60B16	4.220	3/4	2	3-1/16	1-1/4	2.81	
A-20603	15	60B16**	4.220	3/4	2	3-1/16	1-1/4	2.81	
A-20605	15 ****	60B16 DOBLE		3/4			1-1/4		
A-20610	15	D60B17	4.460	3/4	2-1/4	3-1/4	1-1/4	3.22	
A-20615	OBLE	60B17 DOBLE		3/4			1-1/4		
A-20620	16	60B18	4.700	3/4	2-3/8	3-1/2	1-1/4	3.72	
A-20625	16**	60B18 DOBLE		3/4			1-1/4		
A-20630	16	D60B19	4.950	3/4	2-3/8	3-1/2	1-1/4	3.92	
A-20635	OBLE	60B19 DOBLE		3/4			1-1/4		
A-20640	17	60B20	5.190	3/4	2-5/8	3-7/8	1-1/4	4.63	
A-20645	17	D60B20 DOBLE		3/4			1-1/4		
A-20650	OBLE	60B21	5.430	3/4	2-3/4	4	1-1/4	5.00	
A-20655	18	60B21 DOBLE		3/4			1-1/4		
A-20660	18	D60B22	5.670	3/4	2-3/4	4	1-1/4	5.25	
A-20665	OBLE	60B22 DOBLE		3/4			1-1/4		
A-20670	19	60B23	5.910	3/4	2-3/4	4	1-1/4	5.48	
A-20675	19	D60B23 DOBLE		3/4			1-1/4		
A-20680	OBLE	60B24	6.150	3/4	2-3/4	4	1-1/4	5.78	
A-20683	20	60B24****	6.150	3/4	2-3/4	4	1-1/4	5.78	
A-20685	20 DOBLE	60B24 DOBLE		3/4			1-1/4		
A-20690	21	60B25	6.390	3/4	2-3/4	4	1-1/4	6.13	
A-20695	21	D60B25 DOBLE		3/4			1-1/4		
A-20700	OBLE	60B26	6.630	3/4	2-3/4	4	1-1/4	6.38	
A-20710	22	60B26	6.300	3/4	2-3/4	4	1-1/4	6.38	
A-20715	22 DOBLE	60B27	6.870	3/4	2-3/4	4	1-1/4	6.72	
A-20720	23	60B27 DOBLE		3/4			1-1/4		
A-20730	23 DOBLE	60B28	7.110	3/4	2-3/4	4	1-1/4	6.88	
A-20740	24	60B29	7.350	3/4	2-3/4	4	1-1/4	7.28	
A-20740-1	24***	60B30	7.590	3/4	2-3/4	4	1-1/4	7.58	
A-20741	24 DOBLE	60B30 DOBLE		3/4			1-1/4		
A-20741-1	25	60B31	7.830	3/4	2-3/4	4	1-1/4	7.72	
A-20741-9	25 DOBLE	60B32 DOBLE		3/4			1-1/4		
A-20742	26	60B35	8.780	1	2-3/4	4	1-1/4	9.04	
A-20743	26	60B38	9.500	1	2-3/4	4-1/4	1-1/4	10.84	
A-20745	27	60B39	9.740	1	2-3/4	4-1/4	1-1/4	11.36	
A-20748	27 DOBLE	60B40	9.980	1	2-3/4	4-1/4	1-1/4	11.50	
A-20751	28	60B41	10.220	1	2-3/4	4-1/4	1-1/4	12.14	
A-20754	29	60B42	10.460	1	2-3/4	4-1/4	1-1/4	12.74	
A-20757	30	60B43	10.700				1-1/4		
A-20760	30 DOBLE	60B44	10.940	1	2-3/4	4-1/4	1-1/4	13.88	
A-20763	31	60B45	11.180	1	2-3/4	4-1/4	1-1/4	13.98	
A-20766	32 DOBLE	60B46	11.420				1-1/4		
A-20769	35	60B48	11.890	1	2-3/4	4-1/4	1-1/4	15.82	
A-20778	38	60B49	12.130				1-1/4		
A-20781	39	60B50	12.370	1	2-3/4	4-1/4	1-1/4	17.66	
A-20782	40	60B58	14.280						
A-20783	41	60B60	14.760	1-1/4	2-3/4	4-1/4	1-3/4	25.22	
A-20784	42	60B64	15.720	1-1/4	2-3/4	4-1/4	1-3/4	27.40	
A-20700	43	60B 80X2****	19.540	1-1/4	2-3/4	4-1/4	1-3/4	41.88	
	44								
	45								
	46								
	48								
	49								
	50								
	58								
	60								
	64								
	80X2****								

Catarina No. 80 Tipo B para Cadena de 1"

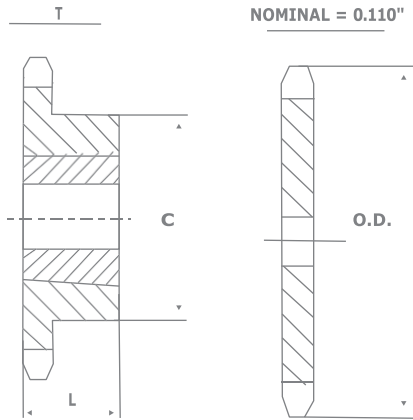


T NOMINAL



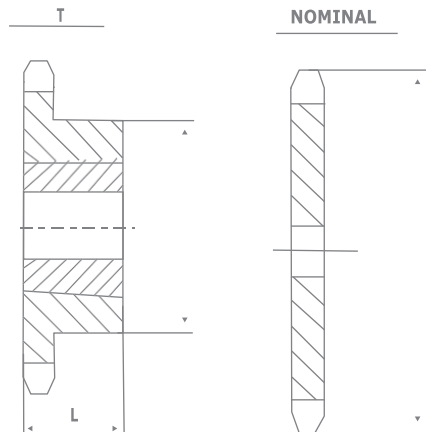
A-#	QTY	DESCRIPTION	O.D.					
A-20785	8	80B 8	3.010	1	1	1-15/16	1-5/8	1.4
A-20787	8 DOBLE	80B8 DOBLE		1				
A-20788	9	80B 9	3.350	1	1-5/16	2-1/4	1-5/8	1.6
A-20789	9 DOBLE	80B9 DOBLE		1				
A-20790	10	80B 10	3.680	1	1-1/2	2-9/16	1-5/8	2.2
A-20791	10 DOBLE	80B10 DOBLE		1				
A-20792	11	80B 11	4.010	1	1-5/8	2-13/16	1-5/8	3.2
A-20794	11	80B11 DOBLE		1				
A-20795	OBLE	80B 12	4.330	1	1-7/8	3-1/8	1-5/8	3.4
A-20796	12	80B12 DOBLE		1				
A-20797	12	80B 13	4.660	1	2	3	1-1/2	3.5
A-20798	OBLE	80B13 DOBLE		1				
A-20800	13	80B 14	4.980	1	2-1/4	3-1/4	1-1/2	4.1
A-20805	13	80B14 DOBLE		1				
A-20813	OBLE	80B 15	5.300	1	2-1/2	3-13/16	1-1/2	5.3
A-20814	14	80B15 DOBLE		1				
A-20815	14	80B 16	5.630	1	2-3/4	4	1-1/2	5.9
A-20818	OBLE	80B16 DOBLE		1				
A-20820	15	80B 17	5.950	1	2-3/4	4	1-1/2	6.6
A-20825	15	80B17 DOBLE		1				
A-20830	OBLE	80B 18	6.270	1	2-3/4	4-1/4	1-1/2	7.3
A-20835	16	80B18 DOBLE		1				
A-20840	16	80B 19	6.590	1	2-3/4	4-1/4	1-1/2	7.8
A-20845	OBLE	80B19 DOBLE		1				
A-20850	17	80B 20	6.910	1	2-3/4	4-1/4	1-1/2	8.4
A-20855	17	80B20 DOBLE		1				
A-20860	OBLE	80B 21	7.240	1	2-3/4	4-1/4	1-3/4	9.4
A-20865	18	80B21 DOBLE		1				
A-20870	18	80B 22	7.560	1	2-3/4	4-1/4	1-3/4	10.0
A-20875	OBLE	80B22 DOBLE		1				
A-20880	19	80B 23	7.880	1	2-3/4	4-1/4	1-3/4	10.7
A-20885	19	80B23 DOBLE		1				
A-20890	OBLE	80B 24	8.200	1	2-3/4	4-1/4	1-3/4	11.3
A-20895	20	80B24 DOBLE		1				
A-20900	20 DOBLE	80B 25	8.520	1	2-3/4	4-1/4	1-3/4	11.9
A-20910	21	80B 26	8.840	1-1/4	3-1/4	4-3/4	2	14.3
A-20920	21	80B27	9.160	1-1/4	3-1/4	4-3/4	2	15.4
A-20930	OBLE	80B28	9.480	1-1/4	3-1/4	4-3/4	2	16.0
A-20940	22	80B 29	9.800	1-1/4	3-1/4	4-3/4	2	17.1
A-20950	22 DOBLE	80B30	10.110	1-1/4	3-1/4	4-3/4	2	17.4
A-20952	23	80B31	10.430	1-1/4	3-1/4	4-3/4	2	18.7
A-20954	23 DOBLE	80B32	10.750	1-1/4	3-1/4	4-3/4	2	19.5
A-20956	24	80B 33	11.070	1-1/4	3-1/4	4-3/4	2	19.6
A-20957	24 DOBLE	80B 34	11.390	1-1/4	3-1/4	4-3/4	2	21.3
A-20958	25	80B 35	11.710	1-1/4	3-1/4	4-3/4	2	22.1
A-20959	26	80B37	12.350					
A-20960	27	80B 39	12.990	1-1/4	3-1/4	4-3/4	2	25.6
A-20960-1	28	80B40	13.310	1-1/4	3-1/4	4-3/4	2	26.7
A-20960-2	29	80B 42	13.940	1-1/4	3-1/4	4-3/4	2	28.7
A-20961	30	80B 42X2"		1-1/4	3-1/4	4-3/4	2	
A-20962	31	80B 43	14.260	1-1/4	3-1/4	4-3/4	2	
A-20963	32	80B 44	14.580	1-1/4	3-1/4	4-3/4	2	29.9
A-20964	33	80B 45	14.900	1-1/4	3-1/4	4-3/4	2	31.4
A-20964-1	34	80B48	15.860	1-1/4	3-1/4	4-3/4	2	35.5
A-20965	35	80B68						
A-20965-5	37	80B80	26.050	1-1/2	4-1/4	6-1/4	3-1/2	89.9
	39							
	40							
	42							
	42X2"							
	43							
	44							
	45							
	48							
	68							
	80							

Catarina No. 100 Tipo B para Cadena de 1/4"



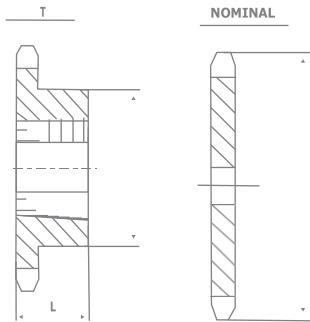
		TIPO B		CALIBRE				
CÓDIGO	# DIENTES	# CATARINA	O.D.	STOCK	MAX	HD	LTB	WT. LBS
A-20966	10	100B 10	4.60	1	1-7/8	3-1/4	1-7/8	4.1
A-20966-1	11	100B 11	5.010	1	2-1/4	3-9/16	1-7/8	5.3
A-20967	12	100B 12	5.420	1	2-1/4	4	1-7/8	6.4
A-20968	13	100B 13	5.820	1	2-3/8	4	1-5/8	6.6
A-20969	14	100B 14	6.230	1-1/4	2-3/4	4-3/16	1-5/8	7.4
A-20970	15	100B 15	6.630	1-1/4	3	4-1/2	1-3/4	9.2
A-20971	16	100B 16	7.030	1-1/4	3	4-1/2	1-3/4	9.9
A-20972	17	100B 17	7.440	1-1/4	3	4-1/2	1-3/4	10.8
A-20974	18	100B 18	7.840	1-1/4	3	4-1/2	1-3/4	11.5
A-20976	19	100B 19	8.240	1-1/4	3	4-1/2	2	13.1
A-20978	20	100B 20	8.640	1-1/4	3	4-1/2	2	14.2
A-20980	21	100B 21	9.040	1-1/4	3	4-1/2	2	15.3
A-20982	22	100B 22	9.440	1-1/4	3	4-1/2	2	16.1
A-20984	23	100B 23	9.840	1-1/4	3	4-1/2	2	17.2
A-20986	26	100B 26	11.050	1-1/4	3-5/16	5	2	21.7
A-20988	28	100B 28	11.840	1-1/4	3-5/16	5	2	24.4
A-20990	30	100B 30	12.640	1-1/4	3-5/16	5	2	26.9
A-20992	32	100B 32	13.440	1-1/4	3-5/16	5	2	29.8
A-20994	34*	100B 34*	14.240					
A-20995	35	100B 35	14.640	1-1/4	3-5/16	5	2-1/2	36.9
A-20996	36*	100B 36*	15.040	1-1/4	3-5/16	5	2-1/2	38.6
A-21000	37	100B 37	15.440					
A-21005	38	100B 38	15.840	1-1/4	3-5/16	5	2-1/2	41.5
A-21050	45	100B 45	18.630	1-1/2	3-5/16	5	2-1/2	54.0

Catarina No. 120 Tipo B para Cadena de 1-1/2"



		TIPO B		CALIBRE				
CÓDIGO	# DIENTES	# CATARINA	O.D.	STOCK	MAX	HD	LTB	WT. LBS
A-30100	10	120B 10	5.520	1-3/8	1-3/8	3-3/4	2-1/4	7.1
A-30110	11	120B 11	6.010	1-3/8	1-3/8	3-9/16	2-1/8	7.6
A-30120	12	120B 12	6.500	1-3/8	1-3/8	4-1/8	2-1/8	9.9
A-30130	13	120B 13	6.990	1-3/8	1-3/8	4-9/16	2-1/4	12.4
A-30140	14	120B 14	7.470	1-3/8	1-3/8	4-3/4	2-1/4	14.4
A-30150	15	120B 15	7.960	1-1/4	1-1/4	4-3/4	2-3/8	16.7
A-30160	16	120B 16	8.440	1-1/4	1-1/4	5-1/4	2-3/8	19.9
A-30170	17	120B 17	8.920	1-1/4	1-1/4	5-1/4	2-3/8	20.8
A-30180	18	120B 18	9.410	1-1/4	1-1/4	5-1/4	2-3/8	22.2
A-30190	19	120B 19	9.890	1-1/4	1-1/4	5-1/4	2-3/8	24.8
A-30200	20	120B 20	10.370	1-1/4	1-1/4	5-1/4	2-3/8	25.8

Catarina Acero Inoxidable



CÓDIGO	TIPO B		CALIBRE		
	# DIENTES	# CATARINA	O.D.	STOCK	MAX
A-30936	9	40B 9	1.670	1/2	9/16
A-30940	10	40B 10	1.840	1/2	3/4
A-30955	11	40B 11	2.000	1/2	7/8
A-30960	12	40B 12	2.170	1/2	1
A-30970	13	40B 13	2.330	1/2	1-1/16
A-30990	14	40B 14	2.490	1/2	1-1/8
A-31000	15	40B 15	2.650	1/2	1-1/4
A-31010	16	40B 16	2.810	5/8	1-3/8
A-31020	17	40B 17	2.980	5/8	1-7/16
A-31030	18	40B 18	3.140	5/8	1-1/2
A-31040	19	40B 19	3.300	5/8	1-3/4
A-31050	20	40B 20	3.460	5/8	1-7/8
A-31060	21	40B 21	3.620	5/8	1-7/8
A-31070	22	40B 22	3.780	5/8	1-3/8
A-31080	23	40B 23	3.940	5/8	2
A-31090	24	40B 24	4.100	5/8	2-1/4
A-31100	25	40B 25	4.260	5/8	2-1/4
A-31110	26	40B 26	4.420	5/8	2-1/4
A-31120	27	40B 27	4.580	5/8	2-1/4
A-31150	30	40B 30	5.060	5/8	2-1/4
A-31170	32	40B 32	5.380	5/8	2-1/4
A-31180	33	40B 33	5.540	5/8	2-1/4
A-31230	38	40B 38	6.330	5/8	2-1/4
A-31262	62	40B 62			
A-31290	9	50B 9	1.670	1/2	9/16

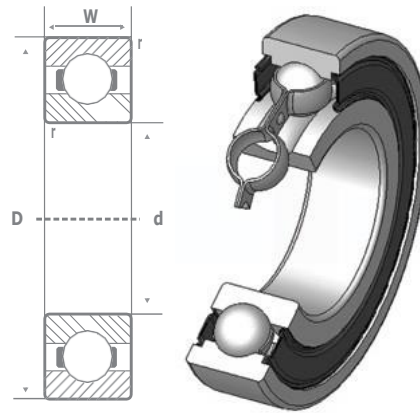
CÓDIGO	TIPO B		CALIBRE		
	# DIENTES	# CATARINA	O.D.	STOCK	MAX
A-31300	10	50B 10	1.840	1/2	3/4
A-31302	11	50B 11	2.000	1/2	7/8
A-31304	12	50B 12	2.170	1/2	1
A-31308	13	50B 13	2.330	1/2	1-1/16
A-31310	14	50B 14	2.490	1/2	1-1/8
A-31320	15	50B 15	2.650	1/2	1-1/4
A-31330	16	50B 16	2.810	5/8	1-3/8
A-31340	17	50B 17	2.980	5/8	1-7/16
A-31350	18	50B 18	3.140	5/8	1-1/2
A-31360	19	50B 19	3.300	5/8	1-3/4
A-31370	20	50B 20	3.460	5/8	1-7/8
A-31380	21	50B 21	3.620	5/8	1-7/8
A-31390	22	50B 22	3.780	5/8	1-3/8
A-31400	23	50B 23	3.940	5/8	2
A-31410	24	50B 24	4.100	5/8	2-1/4
A-31420	25	50B 25	4.260	5/8	2-1/4
A-31430	26	50B 26	4.420	5/8	2-1/4
A-31440	12	60B 12	3.250	3/4	1-3/8
A-31450	14	60B 14	3.740	3/4	1-3/4
A-31460	16	60B 16	4.220	3/4	2
A-31470	18	60B 18	4.700	3/4	2-3/8
A-31480	20	60B 20	5.190	3/4	2-5/8
A-31490	24	60B 24	6.150	3/4	2-3/4
A-31500	21	60B 21	7.240	1	2-3/4

Catarina No.40 Tipo B Tropicalizada



CÓDIGO	# DIENTES	# CATARINA	DESCRIPCIÓN
A-40100	11	40B 11	3/4
A-40110	12	40B 12	3/4"
A-40120	12	40B 12	25MM color natural
A-40130	13	40B 13	3/4"
A-40140	14	40B 14	3/4"
A-40150	15	40B 15	3/4"
A-40160	16	40B 16	3/4"
A-40165	17	40B 17	1" 3UMM
A-40166	17	40B 17	3/4" S/C P/P
A-40170	17	40B 17	3/4"
A-40172	17	40B 17	1-3/16"
A-40174	20	40B 20	3UMM
A-40176	20	40B 20	3/4"
A-40178	20	40B 20	3/4" S/C P/P
A-40179	20	40B 20	1"
A-40180	24	40B 24	3/4"
A-40190	24	40B 24	1" 3UMM
A-40225	28	40B 28	3/4"
A-40230	28	40B 28	3/4" S/C P/P
A-40260	32	40B 32	3/4"
A-40310	40	40B 40	3/4"

Balero de Bola



#PART	d x D x B (mm)	PESO (KG)	NO. DE PARTE
6000	10X26X8	0.019	6000ZZ 6000-2RS 6000-ZNR
6001	12X28X8	0.022	6001ZZ 6001-2RS 6001-ZNR
6002	15X32X9	0.03	6002ZZ 6002-2RS 6002-ZNR
6003	17X35X10	0.039	6003ZZ 6003-2RS 6003-ZNR
6004	20X42X12	0.069	6004ZZ 6004-2RS 6004-ZNR
6005	25X47X12	0.08	6005ZZ 6005-2RS 6005-ZNR
6006	30X55X13	0.12	6006ZZ 6006-2RS 6006-ZNR
6007	35X62X14	0.16	6007ZZ 6007-2RS 6007-ZNR
6008	40X68X15	0.19	6008ZZ 6008-2RS 6008-ZNR
6009	45X75X16	0.25	6009ZZ 6009-2RS 6009-ZNR
6010	50X80X16	0.26	6010ZZ 6010-2RS 6010-ZNR
6011	55X90X18	0.39	6011ZZ 6011-2RS 6011-ZNR
6012	60X95X18	0.42	6012ZZ 6012-2RS 6012-ZNR
6013	65X100X18	0.44	6013ZZ 6013-2RS 6013-ZNR
6014	70X110X18	0.60	6014ZZ 6014-2RS 6014-ZNR
6015	75X115X20	0.64	6015ZZ 6015-2RS 6015-ZNR
6016	80X125X22	0.85	6016ZZ 6016-2RS 6016-ZNR
6017	85X130X22	0.89	6017ZZ 6017-2RS 6017-ZNR
6018	90X140X24	1.15	6018ZZ 6018-2RS 6018-ZNR
6019	95X145X24	1.20	6019ZZ 6019-2RS 6019-ZNR
6020	100X150X24	1.25	6020ZZ 6020-2RS 6020-ZNR
6021	105X160X26	1.60	6021ZZ 6021-2RS 6021-ZNR
6022	110X170X28	1.95	6022ZZ 6022-2RS 6022-ZNR
6023	120X180X28	2.05	6023ZZ 6023-2RS 6023-ZNR
6024	130X200X33	3.15	6024ZZ 6024-2RS 6024-ZNR
6025	140X210X33	3.35	6025ZZ 6025-2RS 6025-ZNR
6026	150X225X35	4.80	6026ZZ 6026-2RS 6026-ZNR
6027	150X225X35	4.80	6027ZZ 6027-2RS 6027-ZNR

#PART	d x D x B (mm)	PESO (KG)	NO. DE PARTE
6200	10X30X9	0.032	6200ZZ 6200-2RS 6200-ZNR
6201	12X32X10	0.037	6201ZZ 6201-2RS 6201-ZNR
6202	15X35X11	0.045	6202ZZ 6202-2RS 6202-ZNR
6203	17X40X12	0.065	6203ZZ 6203-2RS 6203-ZNR
6204	20X47X14	0.110	6204ZZ 6204-2RS 6204-ZNR
6205	25X52X15	0.130	6205ZZ 6205-2RS 6205-ZNR
6206	30X62X16	0.200	6206ZZ 6206-2RS 6206-ZNR
6207	35X72X17	0.290	6207ZZ 6207-2RS 6207-ZNR
6208	40X80X18	0.370	6208ZZ 6208-2RS 6208-ZNR
6209	45X85X19	0.410	6209ZZ 6209-2RS 6209-ZNR
6210	50X90X20	0.460	6210ZZ 6210-2RS 6210-ZNR
6211	55X100X21	0.610	6211ZZ 6211-2RS 6211-ZNR
6212	60X110X22	0.780	6212ZZ 6212-2RS 6212-ZNR
6213	65X120X23	0.990	6213ZZ 6213-2RS 6213-ZNR
6214	70X125X24	1.050	6214ZZ 6214-2RS 6214-ZNR
6215	75X130X25	1.200	6215ZZ 6215-2RS 6215-ZNR
6216	80X140X26	1.400	6216ZZ 6216-2RS 6216-ZNR
6217	85X150X28	1.800	6217ZZ 6217-2RS 6217-ZNR
6218	90X160X30	2.150	6218ZZ 6218-2RS 6218-ZNR
6219	95X170X32	2.600	6219ZZ 6219-2RS 6219-ZNR
6220	100X180X34	3.150	6220ZZ 6220-2RS 6220-ZNR
6221	110X200X38	4.350	6221ZZ 6221-2RS 6221-ZNR
6222	120X215X40	5.150	6222ZZ 6222-2RS 6222-ZNR
6223	130X230X40	5.800	6223ZZ 6223-2RS 6223-ZNR
6224	140X250X42	7.450	6224ZZ 6224-2RS 6224-ZNR
6225	150X270X45	9.400	6225ZZ 6225-2RS 6225-ZNR

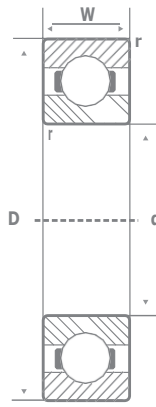
#PART	d x D x B (mm)	PESO (KG)	NO. DE PARTE
6300	10X35X11	0.053	6300ZZ 6300-2RS 6300-ZNR
6301	12X37X12	0.060	6301ZZ 6301-2RS 6301-ZNR
6302	15X42X13	0.082	6302ZZ 6302-2RS 6302-ZNR
6303	17X47X14	0.120	6303ZZ 6303-2RS 6303-ZNR
6304	20X52X15	0.140	6304ZZ 6304-2RS 6304-ZNR
6305	25X62X17	0.230	6305ZZ 6305-2RS 6305-ZNR
6306	30X72X19	0.350	6306ZZ 6306-2RS 6306-ZNR
6307	35X80X21	0.460	6307ZZ 6307-2RS 6307-ZNR
6308	40X90X23	0.630	6308ZZ 6308-2RS 6308-ZNR
6309	45X100X25	0.830	6309ZZ 6309-2RS 6309-ZNR
6310	50X130X27	1.050	6310ZZ 6310-2RS 6310-ZNR
6311	55X120X29	1.350	6311ZZ 6311-2RS 6311-ZNR
6312	60X130X31	1.700	6312ZZ 6312-2RS 6312-ZNR
6313	65X140X33	2.100	6313ZZ 6313-2RS 6313-ZNR
6314	70X150X35	2.500	6314ZZ 6314-2RS 6314-ZNR
6315	75X160X37	3.000	6315ZZ 6315-2RS 6315-ZNR
6316	80X170X39	3.600	6316ZZ 6316-2RS 6316-ZNR
6317	85X180X41	4.250	6317ZZ 6317-2RS 6317-ZNR
6318	90X190X43	4.900	6318ZZ 6318-2RS 6318-ZNR
6319	95X200X45	5.650	6319ZZ 6319-2RS 6319-ZNR
6320	100X215X47	7.000	6320ZZ 6320-2RS 6320-ZNR
6321	105X225X49	8.250	6321ZZ 6321-2RS 6321-ZNR
6322	110X240X50	9.550	6322ZZ 6322-2RS 6322-ZNR
6323	120X260X55	14.500	6323ZZ 6323-2RS 6323-ZNR
6324	130X280X58	18.000	6324ZZ 6324-2RS 6324-ZNR
6325	140X300X62	22.000	6325ZZ 6325-2RS 6325-ZNR
6326	150X320X65	26.000	6326ZZ 6326-2RS 6326-ZNR

#PART	d x D x B (mm)	PESO (KG)
16002	15X32X8	0.025
16005	17X35X8	0.032
16004	20X42X8	0.050
16005	25X47X8	0.060
16006	30X55X9	0.085
16007	35X62X9	0.110
16008	40X68X9	0.130
16009	45X75X10	0.170
16010	50X80X10	0.180
16011	55X90X11	0.260
16012	60X95X11	0.280
16013	65X100X11	0.300
16014	70X110X13	0.430
16015	75X115X13	0.460
16016	80X125X14	0.600
16017	85X130X14	0.630
16018	90X140X16	0.850
16019	95X145X16	0.890
16020	100X160X19	0.910
16021	105X170X18	1.200
16022	110X180X19	1.450
16023	120X180X19	1.600
16024	130X200X22	2.350
16025	140X210X22	2.500
16030	150X225X24	3.150
16032	160X240X25	3.700

#PART	d x D x B (mm)	PESO (KG)	NO. DE PARTE
6900	10X22X6	0.010	6900 ZZ 6900-2RS
6901	12X24X6	0.011	6901 ZZ 6901-2RS
6902	15X28X7	0.016	6902 ZZ 6902-2RS
6903	17X30X7	0.018	6903 ZZ 6903-2RS
6904	20X37X9	0.038	6904 ZZ 6904-2RS
6905	25X39X4.2/5X9	0.045	6905 ZZ 6905-2RS
6906	30X47X9	0.051	6906 ZZ 6906-2RS
6907	35X55X10	0.060	6907 ZZ 6907-2RS
6908	40X62X12	0.120	6908 ZZ 6908-2RS
6909	45X68X12	0.140	6909 ZZ 6909-2RS
6910	50X72X12	0.140	6910 ZZ 6910-2RS
6911	60X85X13	0.200	6911 ZZ 6911-2RS
6912	65X90X13	0.220	6912 ZZ 6912-2RS
6913	70X110X16	0.350	6913 ZZ 6913-2RS
6914	75X105X16	0.353	6914 ZZ 6914-2RS
6915	80X110X16	0.373	6915 ZZ 6915-2RS
6916	85X120X8	0.536	6916 ZZ 6916-2RS
6917	90X125X8	0.554	6917 ZZ 6917-2RS
6918	95X130X18	0.579	6918 ZZ 6918-2RS
6919	100X140X20	0.785	6919 ZZ 6919-2RS
6920	105X145X20	0.816	6920 ZZ 6920-2RS
6921	110X150X20	0.849	6921 ZZ 6921-2RS
6922	120X165X22	1.15	6922 ZZ 6922-2RS
6923	130X180X24	1.52	6923 ZZ 6923-2RS
6924	140X190X24	1.62	6924 ZZ 6924-2RS
6925	150X210X26	2.47	6925 ZZ 6925-2RS
6932	160X220X28	2.61	6932 ZZ 6932-2RS
6933	170X230X28	2.74	6933 ZZ 6933-2RS
6934	180X250X33	4.76	6934 ZZ 6934-2RS
6935	200X280X38	7.1	6935 ZZ 6935-2RS

#PART	d x D x B (mm)	PESO (KG)	NO. DE PARTE
6800	10X22X6	0.010	6800 ZZ 6800-2RS
6801	12X24X6	0.011	6801 ZZ 6801-2RS
6802	15X28X7	0.016	6802 ZZ 6802-2RS
6803	17X30X7	0.018	6803 ZZ 6803-2RS
6804	20X37X9	0.038	6804 ZZ 6804-2RS
6805	25X39X4.2/5X9	0.045	6805 ZZ 6805-2RS
6806	30X47X9	0.051	6806 ZZ 6806-2RS
6807	35X55X10	0.060	6807 ZZ 6807-2RS
6808	40X62X12	0.120	6808 ZZ 6808-2RS
6809	45X68X12	0.140	6809 ZZ 6809-2RS
6810	50X72X12	0.140	6810 ZZ 6810-2RS
6811	60X85X13	0.200	6811 ZZ 6811-2RS
6812	65X90X13	0.220	6812 ZZ 6812-2RS
6813	70X110X16	0.350	6813 ZZ 6813-2RS
6814	75X105X16	0.353	6814 ZZ 6814-2RS
6815	80X110X16	0.373	6815 ZZ 6815-2RS
6816	85X120X8	0.536	6816 ZZ 6816-2RS
6817	90X125X8	0.554	6817 ZZ 6817-2RS
6818	95X130X18	0.579	6818 ZZ 6818-2RS
6819	100X140X20	0.785	6819 ZZ 6819-2RS
6820	105X145X20	0.816	6820 ZZ 6820-2RS
6821	110X150X20	0.849	6821 ZZ 6821-2RS
6822	120X165X22	1.15	6822 ZZ 6822-2RS
6823	130X180X24	1.52	6823 ZZ 6823-2RS
6824	140X190X24	1.62	6824 ZZ 6824-2RS
6825	150X210X26	2.47	6825 ZZ 6825-2RS
6832	160X220X28	2.61	6832 ZZ 6832-2RS
6833	170X230X28	2.74	6833 ZZ 6833-2RS
6834	180X250X33	4.76	6834 ZZ 6834-2RS
6835	200X280X38	7.1	6835 ZZ 6835-2RS

Balero de Bola Miniatura



#PART	d (mm)	D (mm)	B (mm)	Bs (mm)	Peso (kg)	NO. DE PARTE
R2	3.175	9.525	2.380	3.967	1.36	R2ZZ
R2A	3.175	12.700	4.300	4.300	3.3	R2AZZ
R3	4.762	12.70	3.978	4.978	2.21	R3ZZ
R3A	4.762	15.88	4.978	4.978	2.79	R3AZZ
R4	6.35	15.88	4.978	4.978	4.46	R4ZZ
R4A	6.35	19.05	5.558	7.142	7.48	R4AZZ
R6	9.525	22.23	5.558	7.142	9.02	R6ZZ
R144	3.175	6.350	2.380	2.779	0.42	R144ZZ
R154	3.175	7.938	2.779	2.779	0.55	R154ZZ
R155	3.967	7.938	2.779	3.175	0.51	R155ZZ
R156	4.762	7.938	2.779	3.175	0.39	R156ZZ
R164	3.175	9.525	2.380	2.380	0.94	R164ZZ
R166	4.762	9.525	3.175	3.175	0.81	R166ZZ
R188	6.35	9.525	3.175	3.175	0.97	R188ZZ
R174	3.175	10.414	2.779	2.779	1.28	R174ZZ
R184	3.175	12.700	2.779	2.779	1.44	R184ZZ
R186	4.762	12.70	2.779	3.967	1.98	R186ZZ
R188	6.35	12.70	3.175	4.762	1.53	R188ZZ
R1810	7.938	12.7	3.967	3.967	1.56	R1810ZZ
604	4	12	4	4	0.31	604ZZ
603	3	9	3	5	0.87	603ZZ
604	4	12	4	4	2.25	604ZZ
605	5	14	5	5	3.54	605ZZ
606	6	17	6	6	5.97	606ZZ 606-2RS
607	7	19	6	6	7.67	607ZZ 607-2RS
608	8	22	7	7	12.10	608ZZ 608-2RS
609	9	24	7	7	14.50	609ZZ 609-2RS
623	3	10	4	4	1.05	623ZZ
624	4	13	5	5	3.03	624ZZ
625	5	16	5	5	4.95	625ZZ
626	6	19	6	6	8.15	626ZZ 626-2RS
627	7	22	7	7	12.70	627ZZ 627-2RS

#PART	d (mm)	D (mm)	B (mm)	Bs (mm)	Peso (kg)	NO. DE PARTE
628	8	24	8	8	17.20	628ZZ 628-2RS
629	9	26	8	8	19.50	629ZZ 629-2RS
634	4	16	5	5	5.24	634ZZ 634-2RS
635	5	19	5	5	6.50	635ZZ 635-2RS
636	6	22	7	7	14.00	636ZZ 636-2RS
637	7	20	7	7	24.00	637ZZ 637-2RS
638	8	28	9	9	28.30	638ZZ 638-2RS
639	9	30	10	10	36.50	639ZZ 639-2RS
672	2	4	1.2	2	0.06	672ZZ
673	3	6	2	2.5	0.20	673ZZ
674	4	7	2	2.5	0.22	674ZZ
675	5	8	2	2.5	0.26	675ZZ
676	6	10	2.5	3	0.56	676ZZ 676-2RS
677	7	11	2.5	3	0.62	677ZZ 677-2RS
678	8	12	2.5	3.5	0.71	678ZZ 678-2RS
679	9	14	3	4.5	3.05	679ZZ 679-2RS
682	2	5	1.5	2.3	0.12	682ZZ
683	3	7	2	3	0.32	683ZZ
684	4	9	2.5	4	0.63	684ZZ
685	5	11	3	5	1.20	685ZZ 685-2RS
686	6	13	3.5	5	1.91	686ZZ 686-2RS
687	7	14	3.5	5	2.10	687ZZ 687-2RS
688	8	16	4	5	3.25	688ZZ 688-2RS
689	9	17	4	5	3.53	689ZZ 689-2RS
692	2	6	2.3	3	0.28	692ZZ
693	3	8	3	4	0.61	693ZZ
694	4	11	4	4	1.70	694ZZ
698	8	19	6	6	7.23	698ZZ 698-2RS
699	9	20	6	6	8.	699 699-2RS

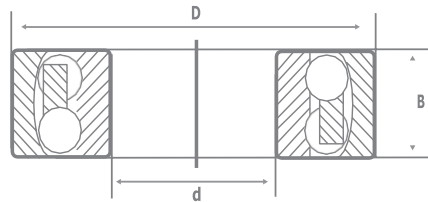
Balero para Aire Acondicionado

Use in auto type



Bearing No.	NACHI			NSK			KOYO			Dimensions (mm)		
	d	D	b	d	D	b	d	D	b	d	D	b
30BD461816	336-2001						83A693			30	46	18 16
30BD4718	30BG046G-2DS						83A693A			30	47	18
30BD472118										30	47	21 18
30BD4722	30BG451S-2S1Z									30	47	22
30BD5220	30BGS10G-2DST-(101.007)						DAC3052-32RD			30	52	20
30BD5222	30BGS10G-2DS1Z						30BD5222DUU			30	52	22
30BD5223	30BG055G-2DS						30BD40DU			30	55	23
	5006-2NSL						30BD219V					
	30BG055ZDS											
30BD5526	30BGS1-2NLS						DAC3055CRK			30	55	26
30BD5527	30BG0551-2NLS						W3206			30	55	27
32BD4718	32BG0453G						32BD4718DUK			32	47	18
32BD522015	32U-20U1						DF06/6LH			32	52	20 15
32BD5523	32BG0551-2DLS						32BD45DU			32	55	23
35BD5020	35BG055G-2NS1						35BD5020DU			35	50	20
35BD5220	35BD5220DF (101.011)						DAC3550002U			35	52	20
35BD5222	35BD5222DFX/(101.006)						35BD5222DFX/			35	52	22
35BD5223	35BG055G						DAC3550002U			35	52	23
35BD5520	35BG05510G-2DS1Z						35BD219DUK			35	55	20
35BD6221	35BG06G-2DS						DAC3550002U			35	62	21
35BD6224	DF0/89/(101.008)						35BD6224DU			35	62	24
35BD6227							35BD210DDU			35	62	27
38BD5411	38BG055G-2DS						BD30-11A			38	54	17
38BD6224	101.008									38	62	24
40BD5524	40BG540G									40	55	24
40BD5724	40BG0551DS						40BD45T2DDU			40	57	24
	40BG055ZG-2DS						9U/257A					
	712019-NBR-2											
40BD572420	40BG0551G-2DS									40	57	24 20
40BD62206	65S7684/6559496						40BD49V/90527			40	62	21
40BD6224206	40BG51ZG-2DS						40BD49AW112DDU			40	62	24 21
							83A551B4					
40BD6224	40BGS11G-2DS						40B219712DDU			40	62	24
40BD6224	40BG539G						ZS1Z-DF08A06			40	62	24
40BD6830							40BD6830DUK			40	68	30
45BD6420							DF0957			45	64	20
45BD6820							DF0954			45	68	20
45BD7532	5BGG/55G-2DS1									45	75	32

Balero Self-Aligning



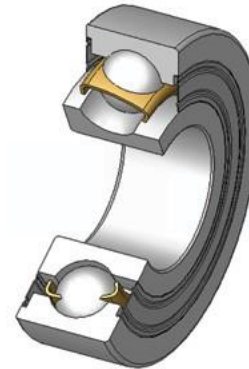
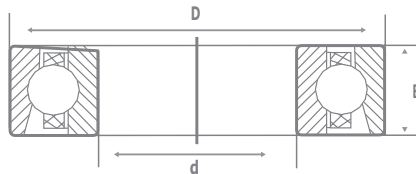
#PART	d x D x B (mm)	PESO (G)
1200	10X30X9	0.034
1201	12X32X10	0.040
1202	15X35X11	0.049
1203 1203 K	17X40X12	0.073
1204 1204 K	20X47X14	0.12
1205 1205 K	25X52X15	0.14
1206 1206 K	30X62X16	0.22
1207 1207 K	35X72X17	0.32
1208 1208 K	40X80X18	0.42
1209 1209 K	45X85X19	0.47
1210 1210 K	50X90X20	0.53
1211 1211 K	55X100X21	0.71
1212 1212 K	60X110X22	0.90
1213 1213 K	65X120X23	1.15
1214 1214 K	70X125X24	1.25
1215 1215 K	75X130X25	1.35
1216 1216 K	80X140X26	1.65
1217 1217 K	85X150X28	2.05
1218 1218 K	90X160X30	2.50
1219 1219 K	95X170X32	3.10
1220 1220 K	100X180X34	3.70
1221 1221 K	105X190X36	4.35
1222 1222 K	110X200X38	5.15

#PART	d x D x B (mm)	PESO (G)
1300	10X35X11	0.059
1301	12X37X12	0.067
1302	15X42X13	0.094
1303 1303 K	17X47X14	0.13
1304 1304 K	20X52X15	0.16
1305 1305 K	25X52X17	0.26
1306 1306 K	30X72X19	0.39
1307 1307 K	35X80X21	0.51
1308 1308 K	40X90X23	0.71
1309 1309 K	45X100X25	0.96
1310 1310 K	50X110X27	1.20
1311 1311 K	55X120X29	1.60
1312 1312 K	60X130X31	1.95
1313 1313 K	65X140X33	2.45
1314 1314 K	70X150X35	3.00
1315 1315 K	75X160X37	3.55
1316 1316 K	80X170X39	4.20
1317 1317 K	85X180X40	5.00
1318 K	90X190X43	5.80
1319 K	95X200X45	6.70

#PART	d x D x B (mm)	PESO (G)
2202	15X35X14	0.060
2203	17X40X16	0.088
2204 K	20X47X18	0.14
2205 K	25X52X18	0.16
2206 K	30X62X20	0.26
2207 K	35X72X23	0.40
2208 K	40X80X23	0.51
2209 K	45X85X23	0.55
2210 K	50X90X23	0.60
2211 K	55X100X25	0.81
2212 K	60X110X28	1.10
2213 K	65X120X31	1.45
2214 K	70X125X31	1.50
2215 K	75X130X31	1.60
2216 K	80X140X33	2.00
2217 K	85X150X36	2.50
2218 K	90X160X40	3.40
2219 K	95X170X43	4.10
2220 K	100X180X46	5.00
2222 K	110X200X53	7.10

#PART	d x D x B (mm)	PESO (G)
	20X52X21	0.21
	25X62X24	0.34
	30X72X27	0.50
	35X80X31	0.68
	40X90X33	0.93
	45X100X36	1.25
	50X110X40	1.65
	55X120X43	2.10
	60X130X46	2.60
	65X140X48	3.25
	70X150X51	3.90
	75X160X55	4.70
	80X170X58	6.10
	85X180X60	7.05
	90X190X64	8.45
	95X200X67	9.80
	100X215X73	12.5
	110X240X80	17.5

Balero de Contacto Angular



#PART	d x D x B (mm)	PESO (G)
7004C 7004AC 7004B	20X42X12	0.080
7005C 7005AC 7005B	25X47X12	0.093
7006C 7006AC 7006B	30X55X13	0.135
7007C 7007AC 7007B	35X62X14	0.180
7008C 7008AC 7008B	40X68X15	0.222
7009C 7009AC 7009B	45X75X16	0.282
7010C 7010AC 7010B	50X80X16	0.306
7011C 7011AC 7011B	55X90X18	0.447
7012C 7012AC 7012B	60X95X18	0.478
7012C 7012AC 7012B	65X100X18	0.509
7014C 7014AC 7014B	70X110X20	0.705
7015C 7015AC 7015B	75X115X20	0.745
7016C 7016AC 7016B	80X125X22	0.994
7017C 7017AC 7017B	85X130X22	1.04
7018C 7018AC 7018B	90X140X24	1.35

#PART	d x D x B (mm)	PESO (G)
7200C 7200AC 7200B	10X30X43	0.030
7201C 7201AC 7201B	12X32X46	0.036
7202C 7202AC 7202B	15X35X53	0.045
7203C 7203AC 7203B	17X40X12	0.065
7204C 7204AC 7204B	20X47X14	0.11
7205C 7205AC 7205B	25X52X15	0.13
7206C 7206AC 7206B	30X62X16	0.20
7207C 7207AC 7207B	35X72X17	0.28
7208C 7208AC 7208B	40X80X18	0.37
7209C 7209AC 7209B	45X85X19	0.42
7210C 7210AC 7210B	50X90X20	0.47
7211C 7211AC 7211B	55X100X21	0.62
7212C 7212AC 7212B	60X52X21	0.80
7213C 7213AC 7213B	65X62X24	1.00
7214C 7214AC 7214B	70X72X27	1.10
7215C 7215AC 7215B	75X80X31	1.20
7216C 7216AC 7216B	80X90X33	1.45
7217C 7217AC 7217B	85X100X36	1.85
7218C 7218AC 7218B	90X110X40	2.30
7219C 7219AC 7219B	95X120X43	2.70

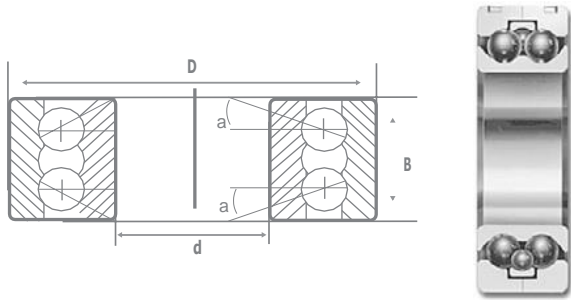
#PART	d x D x B (mm)	PESO (G)
7303C 7303AC 7303B	17X150X51	0.11
7304C 7304AC 7304B	20X160X55	0.14
7305C 7305AC 7305B	25X170X58	0.23
7306C 7306AC 7306B	30X180X60	0.34
7307C 7307AC 7307B	35X190X64	0.45
7308C 7308AC 7308B	40X200X67	0.63
7309C 7309AC 7309B	45X215X73	0.85
7310C 7310AC 7310B	50X240X80	1.10
7311C 7311AC	55X100X27	1.40
7312C 7312AC	60X130X31	1.75
7313C 7313AC	65X140X33	2.15
7314C 7314AC	70X150X35	2.65
7315C 7315AC	75X160X37	3.20
7316C 7316AC	80X170X39	3.80
7317C 7317AC	85X180X41	4.45
7318C 7318AC	90X190X43	5.20
7319C 7319AC	95X200X45	6.05

7019C 7019AC 7019B	95X145X24	1.41
7020C 7020AC 7020B	100X150X24	1.47

7220C 7220AC 7220B	100X130X46	3.30
7222C 7222AC 7222B	110X140X48	4.60

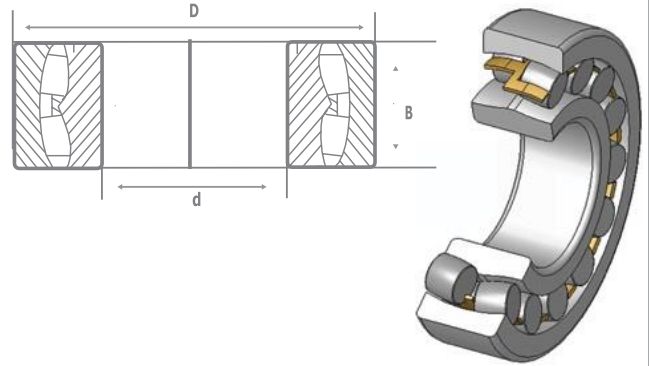
7320C 7320AC	100X215X47	7.50
7322C 7322AC	110X240X50	10.0

Balero de Contacto Angular de Doble Hilera



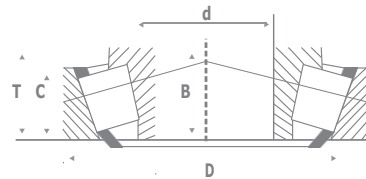
#PART	dxDxB(mm)	PESO(G)	#PART	dxDxB(mm)	PESO(G)
5200	5200ZZ5200-2RS	10X42X12 0.049	5302	5302ZZ5302-2RS	15X42X21 0.132
5201	5201ZZ5201-2RS	12X47X12 0.057	5303	5303ZZ5303-2RS	17X47X24 0.181
5202	5202ZZ5202-2RS	15X55X13 0.064	5304	5304ZZ5304-2RS	20X52X27 0.217
5203	5203ZZ5203-2RS	17X62X14 0.096	5305	5305ZZ5305-2RS	25X62X31 0.362
5204	5204ZZ5204-2RS	20X68X15 0.153	5306	5306ZZ5306-2RS	30X72X33 0.553
5205	5205ZZ5205-2RS	25X75X16 0.175	5307	5307ZZ5307-2RS	35X80X36 0.766
5206	5206ZZ5206-2RS	30X80X16 0.286	5308	5308ZZ5308-2RS	40X90X40 1.010
5207	5207ZZ5207-2RS	35X90X18 0.436	5309	5309ZZ5309-2RS	45X100X43 1.340
5208	5208ZZ5208-2RS	40X95X18 0.590	5310	5310ZZ5310-2RS	50X110X46 1.810
5209	5209ZZ5209-2RS	45X100X18 0.640	5311	5311ZZ5311-2RS	55X120X48 2.320
5210	5210ZZ5210-2RS	50X110X20 0.689	5312	5312ZZ5312-2RS	60X130X54 3.050
5211	5211ZZ5211-2RS	55X115X20 0.986	5313	5313ZZ5313-2RS	65X140X58 3.960
5212	5212ZZ5212-2RS	60X125X22 1.270	5314	5314ZZ5314-2RS	70X160X55 4.740
5213	5213ZZ5213-2RS	65X130X22 1.570			
5214	5214ZZ5214-2RS	70X140X24 1.800			

Balero Esférico



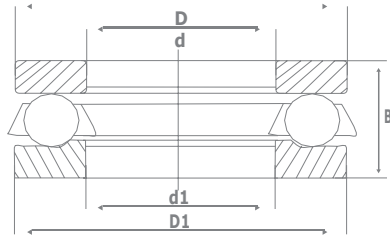
#PART	dxDxB(mm)	PESO(G)	#PART	dxDxB(mm)	PESO(G)
2206	2206K	30X62X20 0.28	22308	22308K	40X90X33 1.00
2207	2207K	35X72X23 0.43	22309	22309K	45X100X36 1.35
2208	2208K	40X80X23 0.52	22310	22310K	50X110X40 1.85
2209	2209K	45X85X23 0.56	22311	22311K	55X120X43 2.35
2210	2210K	50X90X23 0.60	22312	22312K	60X130X46 2.95
2211	2211K	55X100X25 0.82	22313	22313K	65X140X48 3.55
2212	2212K	60X110X28 1.10	22314	22314K	70X150X51 4.30
2213	2213K	65X120X31 1.45	22315	22315K	75X160X55 5.25
2214	2214K	70X125X31 1.55	22316	22316K	80X170X58 6.20
2215	2215K	75X130X31 1.65	22317	22317K	85X180X60 7.25
2216	2216K	80X140X33 2.05	22318	22318K	90X190X64 8.60
2217	2217K	85X150X36 2.55	22319	22319K	95X200X67 10.00
2218	2218K	90X160X40 3.04			
2219	2219K	95X170X43 4.00			
2220	2220K	100X180X46 4.80			
2222	2222K	110X200X53 7.00			

Balero Cono y Taza Métrico



#PART	dxDxB(mm)	PESO(G)	#PART	dxDxB(mm)	PESO(G)	#PART	dxDxB(mm)	PESO(G)	#PART	dxDxB(mm)	PESO(G)
30202	15X35X14	0.06	30302	15X42X14.25	0.10	32205	25X52X19.25	0.19	32006K	30X55X17	0.17
30205	17X40X10	0.08	30305	17X47X15.25	0.13	32206	30X62X21.25	0.28	32007K	35X62X18	0.22
30204	20X47X18	0.12	30304	20X52X16.25	0.17	32207	35X72X24.25	0.43	32008K	40X68X19	0.27
30205	23X52X18	0.15	30305	23X62X18.25	0.20	32208	40X80X24.75	0.55	32009K	45X75X20	0.34
30206	30X62X20	0.23	30306	30X72X20.75	0.39	32209	45X85X24.75	0.58	32010K	50X80X20	0.37
30207	35X72X23	0.32	30307	35X80X22.75	0.52	32210	50X90X27.75	0.81	32011K	55X90X23	0.50
30208	40X80X23	0.42	30308	40X90X25.25	0.72	32211	55X100X29.75	1.10	32012K	60X95X23	0.59
30209	45X85X23	0.48	30309	45X100X27.25	0.97	32212	60X110X32.75	1.50	32013K	65X100X25	0.63
30210	50X90X23	0.54	30310	50X110X29.25	1.25	32213	65X120X35.25	1.80	32014K	70X110X25	0.84
30211	55X100X25	0.70	30311	55X120X31.5	1.55	32214	70X130X38.25	2.10	32015K	75X115X25	0.97
30212	60X110X28	0.88	30312	60X130X33.5	1.95	32215	75X140X41.25	2.50	32016K	80X125X29	1.3
30215	65X120X31	1.15	30315	65X140X36	2.40	32216	80X140X44.25	3.35	32017K	85X130X29	1.35
30214	70X125X31	1.25	30314	70X150X38	2.90	32217	85X150X47.25	4.35	32018K	90X140X32	1.75
30215	75X130X31	1.40	30315	75X160X40	3.45	32218	90X160X50.25	5.35	32019K	95X145X32	1.8
30216	80X140X33	1.60	30316	80X170X42.5	4.10	32219	95X170X53.25	6.35	32020K	100X150X32	1.9
30217	85X150X36	2.05	30317	85X180X44.5	4.85	32220	100X180X56.25	7.10	32021K	105X160X35	2.4
30218	90X160X40	2.55	30318	90X190X46.5	5.65	32221	110X200X61.25	8.85	32022K	110X170X38	3.05
30219	95X170X43	3.00	30319	95X200X49.5	6.70	32222	120X215X61.5	9.15	32024K	120X180X38	3.24
30220	100X180X46	3.65	30320	100X215X51.5	8.05	32223	130X230X67.75	11.50	32026K	130X200X45	4.95
30221	105X190X48	4.25	30321	105X240X53.5	9.15	32224	140X250X71.75	14.50	32028K	140X210X45	5.25
30222	110X200X53	5.00	30322	110X270X56.5	10.15	32225	150X270X77.75	17.50	32030K	150X225X48	6.35
30223	115X210X56	5.65							32032K	160X240X51	7.75

Balero Axial



#PART	x D x B (mm)	PESO (G)
51100	10X24X9	0.02
51101	12X26X9	0.02
51102	15X28X9	0.02
51103	17X30X9	0.03
51104	20X35X10	0.04
51105	25X42X11	0.06
51106	30X47X11	0.06
51107	35X52X12	0.08
51108	40X60X13	0.12
51109	45X65X14	0.14
51110	50X70X14	0.16
51111	55X78X16	0.23
51112	60X85X17	0.20
51113	65X90X18	0.33
51114	70X95X18	0.35
51115	75X100X19	0.40
51116	80X105X19	0.42
51117	85X110X19	0.44
51118	90X120X22	0.67
51119	100X135X25	0.97
51122	110X145X25	1.05
51124	120X155X30	1.15
51126	130X170X31	1.85
51128	140X180X31	2.20
51130	150X190X31	2.20
51132	160X200X31	2.35

#PART	x D x B (mm)	PESO (G)
51200	10X26X11	0.03
51201	12X28X11	0.03
51202	15X32X12	0.05
51203	17X35X12	0.05
51204	20X40X14	0.08
51205	25X47X15	0.11
51206	30X52X16	0.13
51207	35X62X18	0.22
51208	40X68X19	0.28
51209	45X75X20	0.30
51210	50X78X22	0.37
51211	55X90X25	0.59
51212	60X95X26	0.65
51213	65X100X27	0.78
51214	70X105X27	0.79
51215	75X110X27	0.83
51216	80X115X28	0.91
51217	85X125X31	1.20
51218	90X135X35	1.70
51220	100X150X38	2.20
51222	110X160X38	2.40
51224	120X170X39	2.65
51226	130X190X45	4.00
51228	140X200X46	6.30
51230	150X215X50	6.10
51232	160X225X51	6.30

#PART	x D x B (mm)	PESO (G)
51305	25X52X18	0.17
51306	30X60X21	0.26
51307	35X68X24	0.38
51308	40X78X26	0.53
51309	45X85X28	0.66
51310	50X95X31	0.94
51311	55X105X35	1.30
51312	60X110X35	1.35
51313	65X115X36	1.50
51314	70X125X40	2.00
51315	75X135X44	2.60
51316	80X140X44	2.70
51317	85X150X49	3.55
51318	90X155X50	3.80
51320	100X170X55	4.95

#PART	x D x B (mm)	PESO (G)
51405	25X60X24	0.34
51406	30X70X28	0.52
51407	35X80X32	0.76
51408	40X90X36	1.10
51409	45X100X39	1.40
51410	50X110X43	2.00
51411	55X120X48	2.55
51412	60X130X51	3.10
51413	65X140X56	4.00
51414	70X150X60	5.00
51415	75X160X65	6.75
51416	80X170X68	7.95
51417	85X180X72	9.45
51418	90X190X77	11.00
51420	100X210X85	15.00

Balero Cono y Taza



CODIGO	#PART	DIMENSIONES
A-12400	387A/382A	82.550X36.098X3.5
A-12410	387A/382	76.200X36.098X3.5
A-12420	482/472	95.250X36.322X3.0
A-12430	580/572	92.075X36.322X3.6
A-12440	575/572	
A-12450	594A/592A	76.2X38.1X2.812
A-12460	5984A/592A	52.388X30.302X2.3
A-12470	1986/1951	
A-12480	2788/20	44.450X30.302X3.5
A-12490	3767/20	66.675X30.048X3.5
A-12500	3780/20	39.878X17.462X13.843
A-12510	3782/20	45.238X19.058X15.494
A-12520	3984/20	50.005X21.43X17.526
A-12530	11749/10	45.237X21.43X15.494
A-12540	11949/10	45.237X22X15.494
A-12550	12049/10	45.237X22X15.494
A-12560	12748/10	38.100X19.050X3.6
A-12570	12749/10	25.400X20.638X3.8
A-12580	12749/11	62X31.75X18.161
A-12585	13685/21	82.931X44.45X23.812
A-12590	15101A	
A-12600	15123/245	
A-12610	25580/20	

CODIGO	#PART	DIMENSIONES
A-12620	25584/20	
A-12630	25584/23	
A-12640	25590/20	82.931X45.618X23.812
A-12650	25590/23	45.618X23.400X3.5
A-12660	29685/20	73.025X25.400X3.5
A-12670	29749/10	38.100X16.268X2.3
A-12680	39590/39520	66.75X30.162X3.6
A-12690	44643/10	30.292X23.4X14.224
A-12695	44949/10	50.292X26.988X14.22
A-12700	45449/10	30.292X23.4X14.224
A-12710	47686/47620	82.550X33.338X3.6
A-12720	48548/10	34.320X16.268X2.3
A-12730	HM212047/11	122.238X66.675X38.1
A-12740	212049/11	122.238X66.675X38.1
A-12750	518445/10	88.900X39.688X6.4
A-12760	603049/11	45.242X19.042X3.5
A-12770	67048/10	
A-12780	68149/10	35.000X16.764X3.6
A-12790	68149/11	35.000X16.764X3.6
A-12800	69349/10	38.000X17.000X3.6
A-12820	86647/10	
A-12860	501349/10	73.431X14.732X3.8
A-12870	501349/14	73.431X16.604X3.8

Balero Agrícola

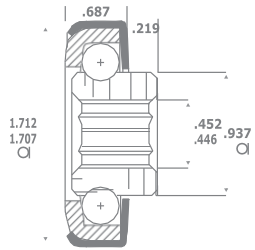
#PART	TYPE	NO. DE PARTES	BOUNDARY DIMENSIONS				
			B	A	D	Be	
202KRR3	1	9/16	16.46	14.3	35	11	13
204KRR2	3	11/16	20.24	17.65	47	14	20.96
204KRR2	1	11/16	20.24	17.65	47	14	20.96
204KRRB2	4	11/16	20.24	17.65	47	14	20.96
205KPP2	3	7/8	25.7	22.25	52	15	25.4
205KPPB2	4	7/8	25.7	22.25	52	15	25.4
205KRR2	1	7/8	25.7	22.25	52	15	25.4
205KRRB2	2	7/8	25.7	22.25	52	15	25.4
206KRR6	1	1	29.26	25.43	62	16	24
206KRRB6	2	1	29.26	25.43	62	16	24
G20/KPPB2	4	1-1/8	32.97	28.6	72	19	37.69
207KRRB9	2	1-1/8	32.97	28.6	72	17	37.69
207KRRB12	4	1-1/8	32.97	28.6	72	17	25
207KPPB3	4	1-1/4	36.65	31.78	72	17	37.7
ZU/KPP3	4	1-1/4	36.65	31.78	72	17	25
GW208PPB22	4	1-1/4	36.83	31.88	80	21	36.52
W208PPB21	3	1-1/4	36.83	31.88	80	21	36.52
W208KRRB6	2	1-3/8	40.3	34.95	80	21	36.52
W208PPB16	4	1-1/4	36.65	31.78	80	18	36.52
G209KPPB2	4	1-1/2	43.94	38.13	85	19	30
Z09KRRB2	4	1-1/2	43.94	38.13	85	19	30
W210PPB7	4	1-5/8	47.65	47.65	90	30.18	30.18
GC211-52-NL	3	1-5/8	51.51	44.48	100	25	37.13



#PART	TYPE	BOUNDARY DIMENSIONS
		B D Be Bi
W208PPB2	1	38.113 80 18 42.875
W208PPB7	2	30.175 80 18 30.18
W208PP10	1	38.113 80 21 42.875
W208PPB10	1	38.113 80 21 42.875
W208PPB23	2	38.113 80 30.175 42.875
W209PPB4	3	39 65 30.175 30.175
W210PP2	4	49.225 90 30.175 30.175
W210PPB5	3	49.225 90 30.175 30.175
W210PPB5	3	45.339 90 30.175 30.175
W210PPB5	4	38.862 90 30.175 30.175
W210PPB9	2	59.675 90 33.325 35.583
W211PPB2	3	55.575 100 33.325 33.325
W211PPB54	3	55.575 100 33.325 33.325
W214PP2	4	70 125 39.69 39.675
W214PPB2	3	70 125 39.69 39.675
W214PPB9	3	70.256 125 40 44.45

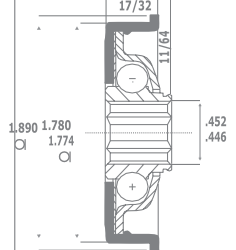
#PART	
FD209RM	
FD211RM	
ST491B	
ST491A	
ST740	
ST491A	
ST627A	
WIR210-31	
WIR211-33	
WIR212-33	
W211PPB3	
W209PPB5	
W208PPB6	
W209PPB2	
W209PPB5	
205PPB7	
Z05KRRB2	

Balero 410 para Transportador



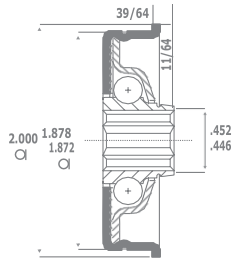
A-13103

Balero 1005 para Transportador



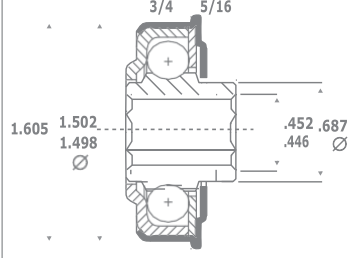
A-13110

Balero 1007 para Transportador



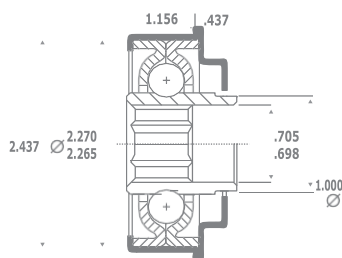
A-13115

Balero 1500 para Transportador



A-13130

Balero 2500 para Transportador



A-13138

Balero 3/8 X 1-1/8" para Transportador

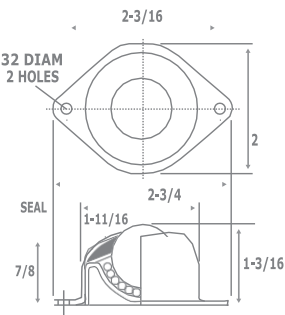


A-13105

Balero BT-1 para Transportador



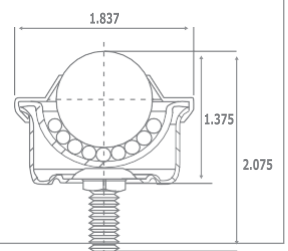
A-13140



Balero SBT-1 para Transportador



A-13142



Balero para Carretilla

A-13100



Rueda para Transportador #50

A-13143 Rueda para Transportador para 50 LIBRAS

A-13145 Rueda para Transportador para 100 LIBRAS



Balero Aguja Agrícola



CÓDIGO	DESCRIPCIÓN
A-13439	SSL-240984R

Balero Seguidores de Levas



CÓDIGO	DESCRIPCIÓN
A-13210	CF 1/2" SB
A-13220	CF 5/8" SB
A-13230	CF 3/4" SB
A-13240	CF 1" SB
A-13250	CF 1-1/8" SB
A-13260	CF 1-1/4" SB
A-13270	CF 1-3/8" SB
A-13280	CF 1-1/2" SB
A-13290	KR16PP
A-13300	KR19PP
A-13310	KR22PP
A-13320	KR30PP
A-13330	KR35PP
A-13340	KR47PP
A-13350	KR52PP

Rótula



CÓDIGO	DESCRIPCIÓN	DETALLE
A-13150	Macho Derecha	POSB-4 1/4-28
A-13151	Macho Izquierda	POSB-4 L 1/4-28
A-13152	Macho Derecha	POSB-5 5/16-24
A-13153	Macho Izquierda	POSB-5 L 5/16-24
A-13154	Macho Derecha	POSB-6 3/8-24
A-13155	Macho Izquierda	POSB-6 L 3/8-24
A-13156	Macho Derecha	POSB-8 1/2-20
A-13157	Macho Izquierda	POSB-8 L 1/2-20
A-13158	Macho Derecha	POSB-10 5/8-18
A-13159	Macho Izquierda	POSB-10 L 5/8-18
A-13160	Macho Derecha	POSB-12 3/4-16
A-13161	Macho Izquierda	POSB-12 L 3/4-16
A-13162	Hembra Derecha	PHSB-4 1/4-28
A-13163	Hembra Izquierda	PHSB-4 L 1/4-28
A-13164	Hembra Derecha	PHSB-5 5/16-24
A-13165	Hembra Izquierda	PHSB-5 L 5/16-24
A-13166	Hembra Derecha	PHSB-6 3/8-24
A-13167	Hembra Izquierda	PHSB-6 L 3/8-24
A-13168	Hembra Derecha	PHSB-8 1/2-20
A-13169	Hembra Izquierda	PHSB-8 L 1/2-20
A-13170	Hembra Derecha	PHSB-10 5/8-18
A-13171	Hembra Izquierda	PHSB-10 L 5/8-18
A-13172	Hembra Derecha	PHSB-12 3/4-16
A-13173	Hembra Izquierda	PHSB-12 L 3/4-16



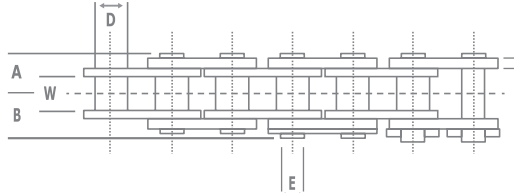
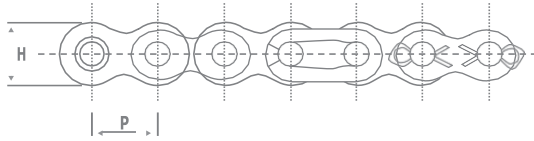
www.solindececuador.ec
solindecventas@gmail.com

Cortador para Cadena

A-16553	Cortador para cadena #25- #60 USA	#1
A-16554	Cortador para cadena #25- #60 CHNA	#1
A-16555	Cortador para cadena #60- #60 USA	#2
A-16556	Cortador para cadena #100- #60 CHNA	#3
A-16560	Cortador para cadena #120- #160 USA	#3

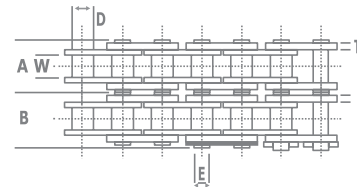
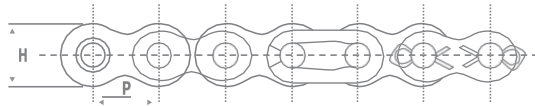


Cadena de Rodillos ANSI Hilo Solo



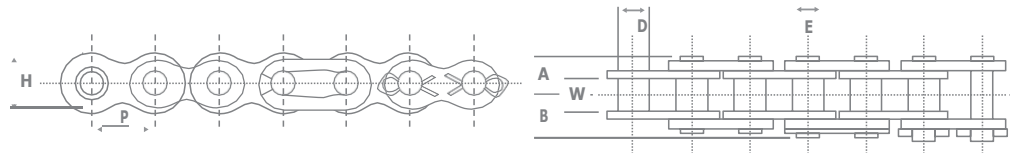
CÓDIGO	CADENA ANSI NO.	DIMENSIONES EN PULGADAS									
		PASO P	RODILLO		Riv. End to Center Line A	Conn. End to Center Line B	ESLABÓN		Oj de Perno E	Fuerza Máxima Libras	Peso Promedio Lib/Pies
			ANCHO W	DIÁMETRO D			ALTURA H	GROSOR T			
A-16570	25*	1/4	0.125	0.130*	0.153	0.189	0.228	0.029	0.091	930	0.09
A-16580	35*	3/8	0.188	0.200*	0.228	0.276	0.356	0.050	0.141	2,320	0.22
A-16600	40	1/2	0.312	0.312	0.321	0.368	0.475	0.058	0.156	3,970	0.42
A-16650	41	1/2	0.250	0.306	0.261	0.314	0.390	0.050	0.141	2,760	0.28
A-16660	50	5/8	0.375	0.400	0.397	0.455	0.594	0.079	0.200	6,620	0.68
A-16700	60	3/4	0.500	0.469	0.497	0.551	0.712	0.093	0.234	9,270	0.97
A-16800	80	1	0.625	0.625	0.645	0.724	0.950	0.125	0.312	16,540	1.71
A-16880	100	1-1/4	0.750	0.750	0.789	0.941	1.188	0.157	0.375	25,360	2.65
A-16940	120	1-1/2	1.000	0.875	0.983	1.219	1.425	0.189	0.437	32,640	3.79
A-17000	140	1-3/4	1.000	1.000	1.066	1.259	1.663	0.219	0.500	45,210	4.96
A-17040	160	2	1.250	1.125	1.282	1.469	1.901	0.255	0.563	57,780	6.32
A-17080	180	2-1/4	1.406	1.406	1.404	1.675	2.130	0.283	0.687	80,480	9.04
A-17100	200	2-1/2	1.500	1.562	1.580	1.764	2.376	0.312	0.782	109,150	10.31

Cadena de Rodillos ANSI Hilos Múltiples



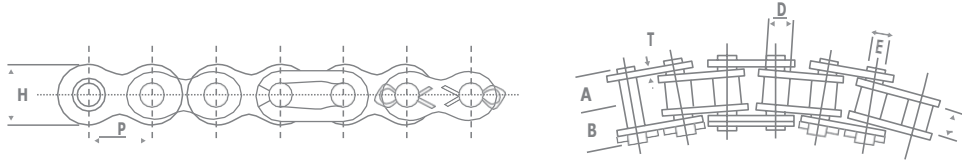
CÓDIGO	CADENA ANSI NO.	DIMENSIONES EN PULGADAS									
		PASO P	RODILLO		Riv. End to Center Line A	Conn. End to Center Line B	ESLABÓN		Oj de Perno E	Fuerza Máxima Libras	Peso Promedio Lib/Pies
			ANCHO W	DIÁMETRO D			ALTURA H	GROSOR T			
35 HILOS MÚLTIPLES											
A-16590	35-2	3/8	.188	.200	.438	.468	.356	.050	.050	4,640	0.42
40 HILOS MÚLTIPLES											
A-16630	40-2	1/2	.312	.312	.606	.661	.475	.058	.058	7,500	0.82
A-16640	40-3	1/2	.312	.312	.888	.947	.475	.058	.058	11,250	1.22
50 HILOS MÚLTIPLES											
A-16680	50-2	5/8	.375	.400	.752	.807	.594	.079	.079	13,230	1.34
A-16690	50-3	5/8	.375	.400	1.111	1.178	.594	.079	.079	19,850	2.00
A-16695	50-6	5/8	.375	.400	1.481	1.532	.594	.079	.079	26,460	2.67
60 HILOS MÚLTIPLES											
A-16740	60-2	3/4	.500	.469	.945	1.000	.712	.093	.093	18,530	1.93
A-16780	60-3	3/4	.500	.469	1.397	1.452	.712	.093	.093	27,790	2.88
A-16795	60-4	3/4	.500	.469	1.845	1.901	.712	.093	.093	37,050	3.83
A-16797	60-6	3/4	.500	.469			.712	.093	.093		
80 HILOS MÚLTIPLES											
A-16840	80-2	1	.625	.625	1.220	1.303	.950	.125	.125	33,080	3.39
A-16860	80-3	1	.625	.625	1.791	1.882	.950	.125	.125	49,620	5.07
100 HILOS MÚLTIPLES											
A-16910	100-2	1-1/4	.750	.750	1.493	1.662	1.188	.157	.157	50,720	5.28
120 HILOS MÚLTIPLES											
A-16960	120-2	1-1/2	1.000	.875	1.888	2.060	1.425	.189	.189	65,270	7.53
A-16980	120-3	1-1/2	1.000	.875	2.773	2.969	1.425	.189	.189	97,910	11.24
140 HILOS MÚLTIPLES											
A-17015	140-2	1-3/4	1.000	1.000	2.029	2.236	1.663	.219	.219	90,410	9.85
A-17030	140-3	1-3/4	1.000	1.000	3.005	3.174	1.663	.219	.219	135,610	14.74
160 HILOS MÚLTIPLES											
A-17065	160-3	2	1.250	1.250	3.606	3.786	1.901	.255	.255	173,320	18.74

Cadena de Rodillos ANSI Serie Pesada



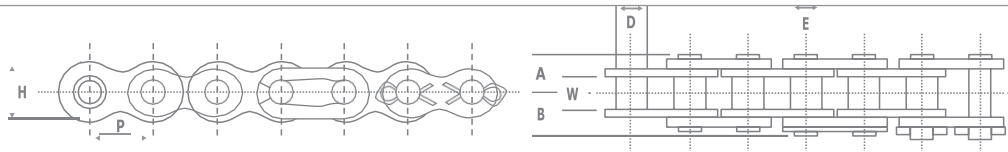
DIMENSIONES EN PULGADAS											
CÓDIGO	CADENA ANSI NO.	RODILLO			Riv. End to Center Line A	Conn. End to Center Line B	ESLABÓN		O de Perno E	Fuerza Máxima Libras	Peso Promedio Lib/Pies
		PASO P	ANCHO W	DIÁMETRO D			ALTURA H	GROSOR T			
A-16660-1	50H-1	5/8	.375	.400	.432	.487	.374	.093	.200	7,940	0.77
A-16720	60H-1	3/4	.500	.469	.523	.578	.475	.058	.156	12,150	1.10
A-16820	80H-1	1	.625	.625	.720	.783	.950	.157	.312	19,850	2.00
A-16890	100H-1	1-1/4	.750	.750	.845	1.002	1.188	.189	.375	30,070	3.02

Cadena Side Bar



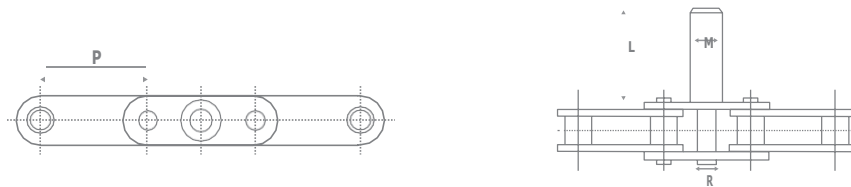
DIMENSIONES EN PULGADAS											
CÓDIGO	CADENA ANSI NO.	RODILLO			Riv. End to Center Line A	Conn. End to Center Line B	ESLABÓN		O de Perno E	Fuerza Máxima Libras	Peso Promedio Lib/Pies
		PASO P	ANCHO W	DIÁMETRO D			ALTURA H	GROSOR T			
A-16605	40SB	1/2	.312	.312	.333	.391	.475	.058	.156	3,270	0.41
A-16665	50SB	5/8	.375	.400	.420	.475	.594	.079	.200	5,450	0.67
A-16705	60SB	3/4	.500	.469	.523	.578	.712	.093	.234	7,610	0.96

Cadena Especiales



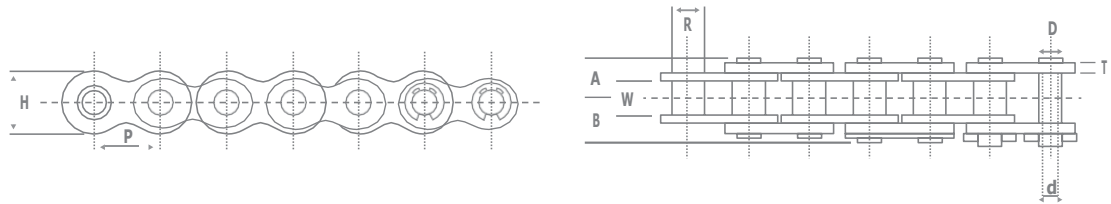
DIMENSIONES EN PULGADAS											
CÓDIGO	CADENA ANSI NO.	RODILLO			Riv. End to Center Line A	Conn. End to Center Line B	ESLABÓN		O de Perno E	Fuerza Máxima Libras	Peso Promedio Lib/Pies
		PASO P	ANCHO W	DIÁMETRO D			ALTURA H	GROSOR T			
A-17680	410(43)(65)	1/2	.125	.305	.182	.226	.390	.040	.142	2,210	.19
A-17700	415 (42)	1/2	.187	.305	.212	.256	.390	.040	.142	2,210	.22
A-17710	415H	1/2	.187	.305	.299	.299	.451	.058	.165	3,750	.33
A-17730	428	1/2	.312	.335	.361	.361	.456	.058	.175	4,080	.44

Cadena con Perno D-5



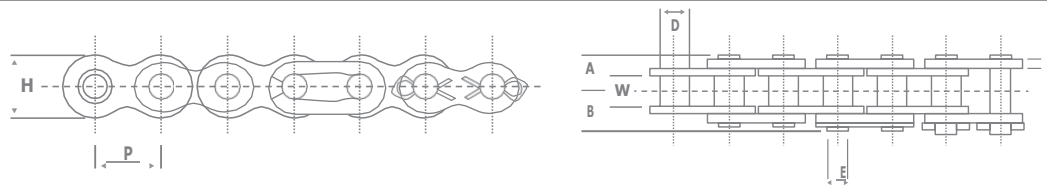
DIMENSIONES EN PULGADAS								
CÓDIGO	CADENA ANSI NO.	ACCESORIO	PASO	L	M	R	Peso Promedio	
			P				Lib/Pies	
A-17570	C2060H	D-5-1/2(1-5/8)	1.500	1.626	.500	.310	1.60	
A-17580	C2060H	D-5-9/16(1-3/8)	1.500	1.626	.500	.310	1.62	
A-17582-0	C2060H SS	D-5-1/2(1-5/8)	1.500	1.626	.500	.310	1.60	
A-17582-5	C2060H SS	D-5-9/16(1-3/8)	1.500	1.626	.500	.310	1.62	

Cadena Doble



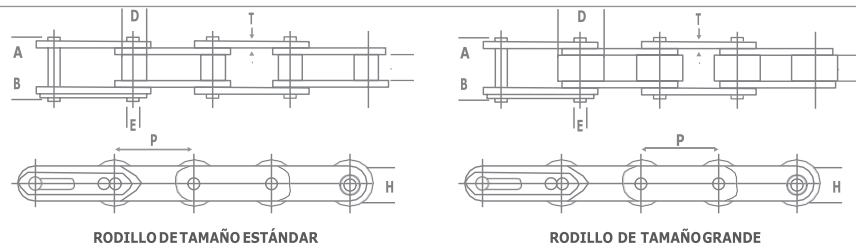
DIMENSIONES EN PULGADAS												
CÓDIGO	CADENA ANSI NO.	PASO	RODILLO		PERNO				ESLABÓN		Fuerza Máxima	Peso Promedio
			ANCHO	DIÁMETRO	O EXT	O INT	LONGITUD	ALTURA	GROSOR			
		P	W	R	D	d	A	B	H	T	Libras	Lib/Pies
A-16625	40HP	1/2	.312	.312	.224	.157	.327	.362	.475	.058	2,867	.35
A-16625	50HP	3/8	.375	.400	.267	.201	.404	.433	.594	.079	4,631	.55
A-16799	60HP	3/4	.500	.469	.331	.235	.508	.555	.712	.073	5,754	.67
A-16871	80HP	1	.625	.625	.449	.318	.638	.708	.950	.125	11,466	1.41
A-17505	C2040HP	1	.312	.312	.224	.161	.326	.353	.475	.058	2,870	.28
A-17505	C2050HP	1-1/4	.375	.400	.267	.201	.403	.427	.594	.079	4,640	.48
A-17540	C2052HP	1-1/4	.375	.750	.287	.201	.403	.427	.0594	.079	4,640	.86
A-17561	C2060HP	1-1/2	.500	.469	.331	.235	.508	.548	.712	.093	5,960	.88
A-17625	C2062HP	1-1/2	.500	.875	.331	.235	.508	.548	.712	.093	5,960	1.24
A-17655	C2080HP	2	.625	.625	.449	.318	.638	.693	.950	.125	11,470	1.71

Cadena Métrica



DIMENSIONES EN PULGADAS											
CÓDIGO	CADENA ANSI NO.	PASO	RODILLO		Riv. End to Center Line	Conn. End to Center Line	ESLABÓN		O de Perno	Fuerza Máxima	Peso Promedio
			ANCHO	DIÁMETRO	A	B	ALTURA	GROSOR	E		
		P	W	D	A	B	H	T	E	Libras	Lib/Pies
A-17250	04B-1	.236	.110	.157	.124	.179	.198	.024	.072	730	0.09
A-17260	05B-1	.315	.118	.197	.152	.189	.280	.030	.091	1,150	0.11
A-17270	06B-1	3/8	.225	.250	.253	.291	.325	.050	.129	2,250	0.28
A-17290	08B-1	1/2	.305	.355	.321	.361	.465	.058	.175	4,080	0.44
A-17310	10B-1	5/8	.380	.400	.385	.440	.580	.067	.200	5,850	0.62
A-17350	12B-1	3/4	.460	.475	.440	.483	.635	.073	.225	7,060	0.81
A-17350	16B-1	1	.670	.625	.702	.819	.830	.157	.326	15,880	1.79
A-17370	20B-1	1-1/4	.770	.750	.786	.955	1.040	.175	.401	22,050	2.43
A-17390	24B-1	1-1/2	1.000	1.000	1.059	1.256	1.315	.219	.576	36,830	4.47
A-17280	06B-2	3/8	.225	.250	.453	.488	.325	.050	.129	4,190	0.50
A-17300	08B-2	1/2	.305	.335	.606	.642	.465	.058	.175	8,160	0.87
A-17320	10B-2	5/8	.380	.400	.717	.776	.580	.067	.200	11,680	1.22
A-17340	12B-2	3/4	.460	.475	.833	.873	.635	.073	.225	14,120	1.61
A-17360	16B-2	1	.670	.625	1.320	1.416	.830	.157	.320	31,980	3.54
A-17380	20B-2	1-1/4	.770	.750	1.493	1.670	1.040	.175	.401	44,100	4.81
A-17395	24B-2	1-1/2	1.000	1.000	1.989	2.219	1.315	.219	.576	64,390	8.86

Cadena con Perno

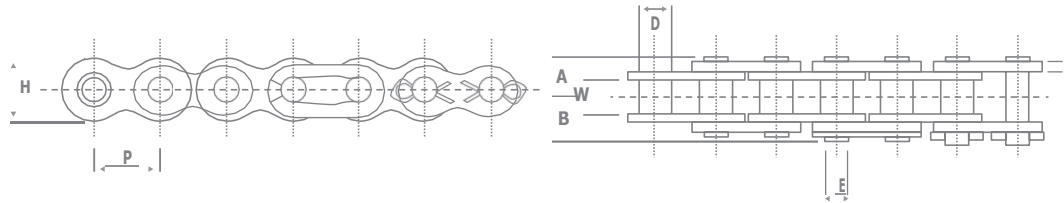


RODILLO DE TAMAÑO ESTÁNDAR

RODILLO DE TAMAÑO GRANDE

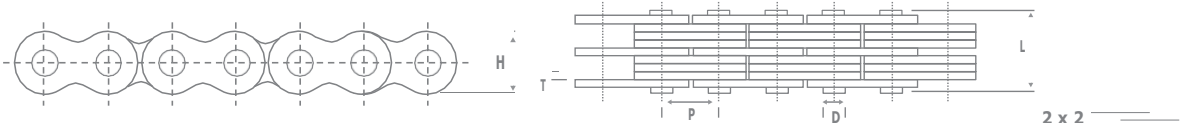
DIMENSIONES EN PULGADAS											
CÓDIGO	CADENA ANSI NO.	PASO	RODILLO		Riv. End to Center Line	Conn. End to Center Line	ESLABÓN		O de Perno	Fuerza Máxima	Peso Promedio
			ANCHO	DIÁMETRO	A	B	ALTURA	GROSOR	E		
		P	W	D	A	B	H	T	E	Libras	Lib/Pies
RODILLO DE TIPO ESTÁNDAR											
C2040	1	.312	.312	.321	.368	.475	.058	.156	.156	3,970	0.32
C2050	1-1/4	.375	.400	.399	.455	.595	.079	.200	.200	6,620	0.54
C2060	1-1/2	.500	.469	.497	.551	.712	.093	.234	.234	9,270	0.76
C2060H	1-1/2	.500	.469	.570	.625	.712	.125	.234	.234	12,130	0.95
C2080H	2	.625	.625	.720	.873	.950	.157	.312	.312	19,850	1.60
C2100H	2-1/2	.750	.750	.845	1.002	1.188	.189	.375	.375	30,870	2.46
C2120H	3	1.000	.875	1.066	1.425	1.425	.219	.437	.437	36,390	3.48
RODILLO DE TAMAÑO GRANDE											
C2042	1	.312	.625	.321	.368	.475	.058	.156	.156	0.56	0.56
C2062H	1-1/2	.500	.875	.570	.625	.712	.125	.234	.234	1.42	1.42
C2082H	2	.625	1.125	.720	.873	.950	.157	.312	.312	2.31	2.31
C2102H	2-1/2	.750	1.562	.845	1.002	1.188	.189	.375	.375	3.95	3.95

Cadena Acero Inoxidable



CÓDIGO	CADENA ANSI NO.	DIMENSIONES EN PULGADAS									
		PASO	RODILLO		Riv. End to Center Line	Conn. End to Center Line	ESLABÓN		O de Perno	Fuerza Máxima	Peso Promedio
			ANCHO	DIÁMETRO			ALTURA	GROSOR			
P	W	D	A	B	H	T	E	Libras	Lib/Pies		
A-17150	35SS	3/8	.187	.200	.228	.276	.356	.050	.141	1,550	0.22
A-17160	40SS	1/2	.312	.312	.321	.368	.475	.058	.156	2,760	0.42
A-17170	50SS	5/8	.375	.400	.399	.455	.594	.079	.200	4,970	0.68
A-17180	60SS	3/4	.500	.409	.497	.551	.712	.093	.234	6,620	0.97
A-17190	80SS	1	.625	.625	.645	.724	.950	.125	.312	10,590	1.71
A-17200	100SS	1-1/4	.750	.750	.789	.941	1.188	.157	.375	18,500	2.80
A-17673	C2040 SS	1	.312	.312	.321	.368	.475	.058	.156	2,760	0.32
A-17674	C2050 SS	1-1/4	.375	.400	.399	.455	.594	.079	.200	4,970	0.54
A-17676	C2060 SS	1-1/2	.500	.469	.497	.551	.712	.093	.234	6,620	0.76
A-17677	C2062H SS	1-1/2	.500	.475	.570	.625	.712	.125	.234	6,620	1.42
A-17678	C2080H SS	2	.625	.625	.720	.873	.950	.157	.312	10,590	1.60
A-17678-001	C2082H SS	2	.625	1.150	.720	.873	.950	.157	.312	10,590	2.51
A-17679	C2100H										

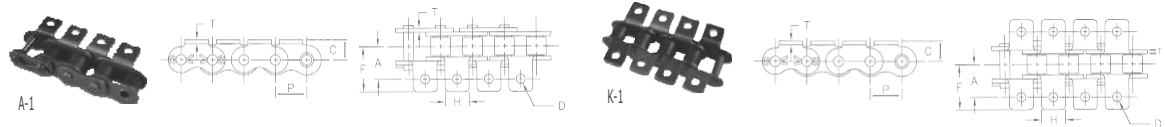
Cadena para Montacargas



CÓDIGO	CADENA ANSI NO.	DIMENSIONES EN PULGADAS							
		PASO	ENLACE	LOGITUD PERNO	ESLABÓN		O de Perno	Fuerza Máxima	Peso Promedio
					ALTURA	GROSOR			
P	L	H	T	E	Libras	Lib/Pies			
A-17752	BL423	1/2	2X3	.603	.475	.079	.200	5,960	0.48
A-17754	BL434	1/2	3X4	.770	.475	.079	.200	8,930	0.67
A-17755	BL444	1/2	4X4	.854	.475	.079	.200	11,910	0.76
A-17756	BL523	3/8	2X3	.699	.594	.093	.234	9,380	0.71
A-17558	BL534	5/8	3X4	.893	.594	.093	.234	14,120	1.00
A-17559	BL544	3/8	4X4	.985	.594	.093	.234	18,750	1.14
A-17559-1	BL566	5/8	6X6	1.375	.594	.093	.234	28,120	1.69
A-17559-2	BL546	3/8	4X6	1.180	.594	.093	.234	18,750	1.41
A-17760	BL623	3/4	2X3	.930	.713	.125	.312	14,450	1.19
A-17770	BL634	3/4	3X4	1.189	.713	.125	.312	22,050	1.65
A-17780	BL823	1	2X3	1.134	.950	.157	.375	23,160	1.92
A-17790	BL834	1	3X4	1.445	.950	.157	.375	34,180	2.66
A-17795	BL844	1	4X4	1.627	.950	.157	.375	46,310	3.04
A-17800	BL846	1	4X6	1.922	.950	.157	.375	46,310	3.77
A-17801	BL866	1	6X6	2.261	.950	.157	.375	66,150	4.52
A-17810	BL1023	1-1/4	2X3	1.366	1.189	.189	.437	33,080	3.05
A-17820	BL1034	1-1/4	3X4	1.744	1.189	.189	.437	49,620	4.23
A-17830	BL1046	1-1/4	4X6	2.305	1.189	.189	.437	66,150	6.01
A-17840	BL1244	1-1/4	4X4	2.212	1.425	.219	.500	88,200	6.66

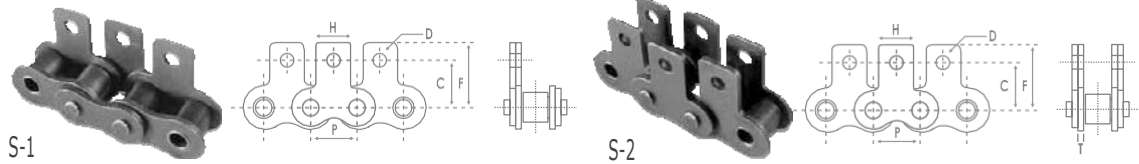


Cadena Estándar Bent



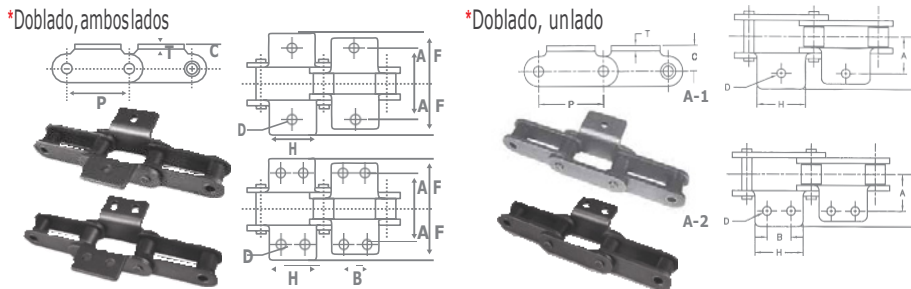
CADENA ANSI NO.	DIMENSIONES EN PULGADAS								
	PASO	A-1		K-1		From top to Pin C.L.	Diámetro del agujero	Attach Extension Width	Espesor
		From Hole C.L. to Chain C.L.	From End to Chain C.L.	From C.L. to Chain C.L.	From End to Chain C.L.				
P	A	F	A	F	C	D	H	T	
35*	3/8	.375	.516	.375	.516	.250	.109	.312	.050
40	1/2	.500	.688	.500	.688	.312	.140	.375	.058
50	5/8	.625	.969	.625	.969	.406	.203	.562	.079
60	3/4	.750	1.094	.750	1.094	.469	.203	.625	.093
80	1	1.000	1.548	1.000	1.548	.625	.265	.750	.125
100**	1-1/4	1.250	1.894	1.250	1.894	.781	.328	1.000	.157
120**	1-1/2	1.501	2.088	1.501	2.088	.906	.390	1.126	.189
140**	1-3/4	1.750	2.437	1.750	2.437	1.125	.448	1.375	.218
160**	2	2.000	2.812	2.000	2.812	1.250	.516	1.500	.250

Cadena Estándar Recta



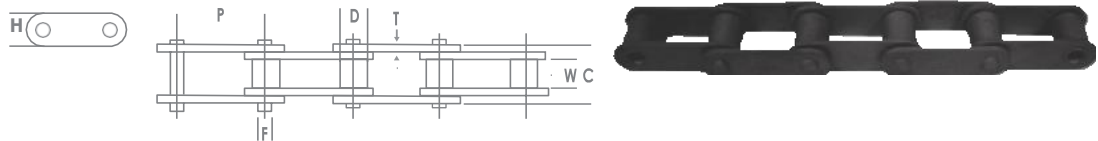
DIMENSIONES EN PULGADAS						
CADENA ANSI NO.	PASO	From Hole C.L. to Pin C.L.	Diámetro de agujero	From Top to Pin C.L.	Ancho de la extensión	Grosor
	P	C	D	A	F	C
35*	3/8	.375	.109	.531	.312	.050
40	1/2	.500	.140	.687	.375	.058
50	5/8	.625	.203	.963	.562	.079
60	3/4	.750	.265	1.051	.625	.093
80	1	1.000	.265	1.339	.750	.125
100**	1-1/4	1.250	.328	1.649	1.000	.157
120**	1-1/2	1.501	.390	1.959	1.126	.189
140**	1-3/4	1.750	.448	2.457	1.375	.218
160**	2	2.000	.510	2.750	1.500	.250

Cadena Doble Pitch Doblada



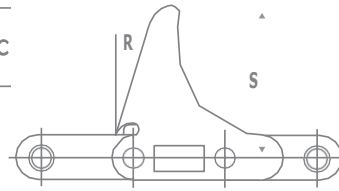
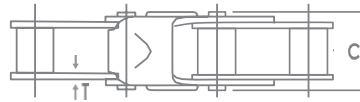
DIMENSIONES EN PULGADAS									
CADENA ANSI NO.		PASO	From Hole C.L. to Chain C.L.	From Hole C.L. to Hole C.L.	From Top to Pin C.L.	Diámetro del agujero	From End to Chain C.L.	Ancho de extensión	GROSOR
Rodillos Estándar	Rodillos Mas Grandes	P	A	B	C	D	F*	H	T
DOBLADO, UN LADO									
C2040	C2042	1	.500	.375	.359	.140	.742	.750	.058
C2050	C2052	1-1/4	.825	.469	.438	.203	.945	1.000	.079
C2060H	C2062H	1-1/2	.844	.562	.578	.203	1.204	1.126	.125
C2080H	C2082H	2	1.094	.750	.750	.265	1.516	1.501	.157
C2100H*	C2102H*	2-1/2	1.312	.938	.922	.328	1.966	1.876	.189
C2120H**	C2122H**	3	1.562	1.126	1.094	.390	2.391	2.251	.219
C2160H*	C2162H*	4	2.063	1.501	1.439	.521	3.159	2.966	.281
DOBLADO, AMBOS LADOS									
C2040	C2042	1	.500	.375	.359	.140	.742	.750	.058
C2050	C2052	1-1/4	.825	.469	.438	.203	.945	1.000	.079
C2060H	C2062H	1-1/2	.844	.562	.578	.203	1.204	1.126	.125
C2080H	C2082H	2	1.094	.750	.750	.265	1.516	1.501	.157
C2100H*	C2102H*	2-1/2	1.312	.938	.922	.328	1.966	1.876	.189
C2120H**	C2122H**	3	1.562	1.126	1.094	.390	2.391	2.251	.219
C2160H*	C2162H*	4	2.063	1.501	1.439	.521	3.159	2.966	.281

Cadena de Rodillos Agrícola



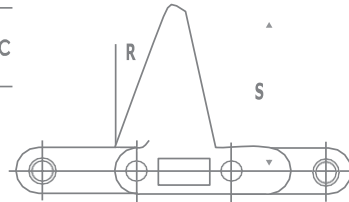
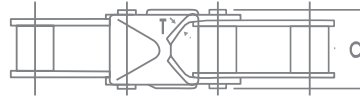
TAMAÑO CADENA CONVEYOR SERIES CA	PASO	RODILLOS		LONGITUD TOTAL C		ESLABÓN		DIAM. PERNO E	ADV. ULTIMATE STRENGTH LBS.
	P	W ANCHO	D DIAM.	Riv.	Cott.	ALTURA H	GROSOR T		
CA550	1.63	51/64	.656	1-3/8	1-9/16	3/4	.105	.281	11,250
CA550HD	1.63	51/64	.21/32	1-53/64	1-19/32	13/16	.120	.316	15,250
CA555	1.63	1/2	.656	1-11/64	1-1/4	3/4	.125	.281	11,250
CA557	1.63	51/64	.700	1-15/32	1-19/32	29/32	.125	.315	16,500
CA620	1.654	63/64	.696	1-41/64	1-27/32	3/4	.125	.281	12,000

Aditamentos



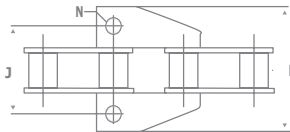
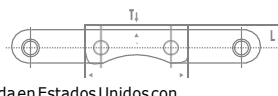
ATT. NO	CHAIN NO.	C	R	S	T
C6E	CA555	1-31/64	15°	2-5/8	.125

Aditamentos



ATT. NO	CHAIN NO.	C	R	S	T
C11E	CA550	1-17/64	17°	2-1/2	.105
C14E	CA620	1-17/32	25°	2-21/32	.125

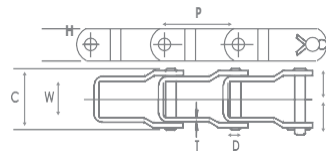
Aditamentos



*Toda la cadena de rodillos agrícola fabricada en Estados Unidos con rodillos sólido y bujes sólido.

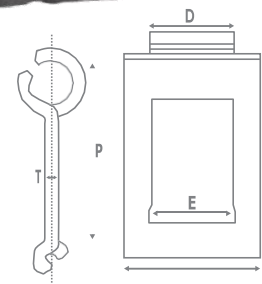
ATT. NO	CHAIN NO.	J	K	L	M	N	T
K39	A550	2.00	2.813	.474	2.38	.328	.105
K39M	A550	2.00	2.813	.484	2.38	.390	.105
K35	A557	2.00	2.894	.555	2.67	.343	.125
K35M	A557	2.00	2.894	.555	2.67	.406	.125
K39	A557	2.25	2.91	.555	2.67	.343	.125
K39M	A557	2.25	3.11	.555	2.67	.390	.125

Cadena de Acero Pintle



TAMAÑO CADENA	ESLABONES POR 10	PESO POR 10	Min. Avg. Tensile Strength	PASO P	ANCHO TOTAL B	ANCHO INTERNO C	DIÁMETRO PERNO D	DIAM. PERNO E	ALTURA H	GROSOR T	Longitud del conector
AL662	72	10.5 lbs.	8,500 lbs.	1.664	1-5/8	29/32	.281	.720	.125	.797	.883
AL667M	52	11.7 lbs.	9,500 lbs.	2.313	1-47/64	1	.312	.875	.125	.891	.998
AL667X	53	18.6 lbs.	15,000 lbs.	2.250	1-61/64	1-1/16	.437	.937	.170	1.010	1.140
AL667XH	53	28.0 lbs.	26,000 lbs.	2.250	2-5/16	1-5/64	.469	1.062	.224	1.200	1.340

Cadena Troquelada



*Tolerances for 10 feet section of SDC are +3/8,-1/8".

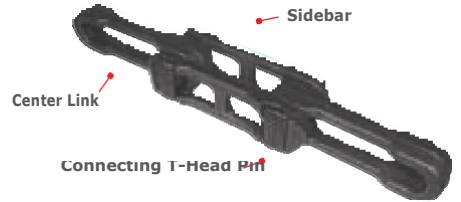
NO. DE CADENA	ESLABONES EN 10 PIES	Approx. Wt. Lbs. Per 10 Ft.	Average Ultimate Strength Lbs.	Min. Tensile Strength Lbs.	P	M	E	D	T
25	133	20	950	760	.904	45/64	.438	.422	.073±.006
32	104	32	1650	1320	1.157	15/16	.610	.594	.090±.006
32W	104	39	1650	1320	1.157	1-1/16	.610	.594	.079±.006
33	86	39	1650	1320	1.402	1-1/16	.627	.610	.095±.006

Replacement Chains/Belts for J.D. 50/50A Series

*Forage/Bean Harvester Gathering Chains



Replacement Chains/Belts for J.D. 50/50A Series



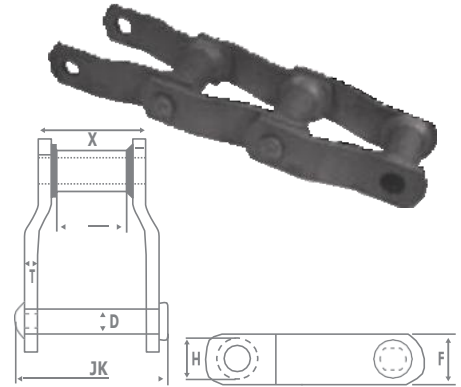
*Regular type is furnished with only the T-head pins heat treated. These pins are symmetrical and may be reversed when worn.

	MOLINE CHAIN NO.	PITCH IN INCHES	LINKS PER 10 FEET	WEIGHT PER FOOT LBS.	AVERAGE ULTIMATE STRENGTH-LBS Head Treated Steel	CHAIN CONSTRUCTION
3.031 PITCH CHAIN	X348	3.031	40	2.2	24,000	Special Pin
4.051 PITCH CHAIN	X458	4.051	30	3.2	48,000	Special Pin
6.031 PITCH CHAIN	X678	6.031	20	6.7	85,000	Special Pin

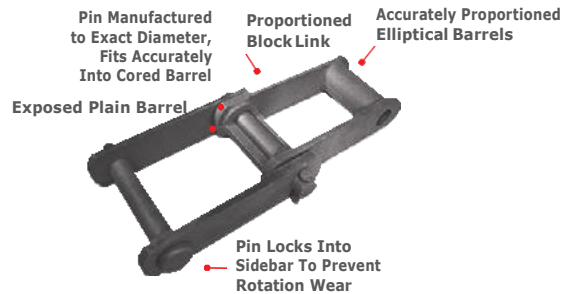
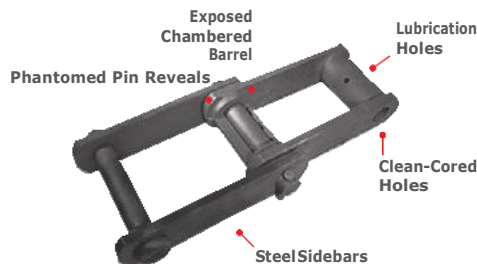
Cadena de Molino Soldada

*Rivets are pressed fit to insure against pin rotation. Automated welding is used to insure consistent location. Pins, barrels and sidebars are heat/treated as an Allied-Locke standard, to increase wear life of the chain. Chain with heat-treated rivets only are available upon request.

CHAIN NO.	PITCH	Average Ultimate Strength LBS.	Rated Working Load LBS.	APPROX. LINKS IN 10 FEET	OVERALL WIDTH JK	LENGTH OF BEARING X	RIVET DIAMETER D	SIDE BAR THICKNESS T	SIDE BAR WIDTH F	BARREL DIAM. H	MAX. SPKT. FACE A
WH 188	2.609	30,000	2,850	46	3.8	2.69	1.62	.50	.25	1.12	.88
WH 78	2.609	30,000	3,500	46	4.0	3.00	2.00	.50	.25	1.12	.88
WH 78-4	4.000	30,000	3,500	30	4.0	3.00	2.00	.50	.25	1.12	.88
WH 82	3.075	36,000	4,400	39	4.8	3.25	2.25	.56	.25	1.25	1.06
WH 124	4.000	69,000	7,200	30	8.3	4.25	2.75	.75	.38	1.50	1.25
WH 124U	4.063	100,000	10,500	30	14.7	4.75	3.00	1.00	.50	2.00	1.62
WH 111	4.760	91,000	8,850	26	9.5	4.88	3.38	.75	.38	1.75	1.25
WH 106	6.000	69,000	7,200	20	7.0	4.25	2.75	.75	.38	1.50	1.25
WH 106HD	6.000	92,500	7,875	20	9.0	4.75	3.00	.75	.50	1.50	1.25
WH 106XHD	6.000	115,000	10,500	20	11.8	4.88	3.00	1.00	.50	2.00	1.62
WH 110	6.000	69,000	7,875	20	7.2	4.62	3.00	.75	.38	1.50	1.25
WH 132	6.050	115,000	15,300	20	14.2	6.25	4.38	1.00	.50	2.00	1.62
WH 132HD	6.050	139,500	16,200	20	16.4	6.75	4.62	1.00	.62	2.00	1.62
WH 150	6.050	116,000	15,300	20	16.8	6.25	4.38	1.00	.50	2.50	1.62
WH 150HD	6.050	168,000	16,200	20	19.3	6.75	4.62	1.00	.62	2.50	1.62
WH 150XHD	6.050	161,000	18,200	20	19.7	6.75	4.62	1.12	.62	2.50	1.62



Cadena Combinada



	MOLINE CHAIN NO.	PITCH IN INCHES	LINKS PER 10 FEET	WEIGHT PER FOOT LBS.	AVERAGE ULTIMATE STRENGTH-LBS	RECOMMENDED MAX. WORKING LOAD LBS.	CHAIN CONSTRUCTION	AVAILABLE ATTACHMENTS
1.631" PITCH CHAIN	C55	1.631	74	2.2	12,150	1,400	Riveted or Cottered	A22, G19, F30, K1
2.308" PITCH CHAIN	C77	2.308	52	2.5	14,850	1,640	Riveted or Cottered	F2, K1
2.609" PITCH CHAIN	C188	2.609	46	3.6	18,900	2,350	Riveted or Cottered	F2, G6, K1, K2, S1
4.000" PITCH CHAIN	C102B	4.000	30	6.8	32,400	5,400	Riveted or Cottered	K2